

Project Name: Location:

Specifier: Rep Agency:

Fixture Type: Product Code:

KLIK LEDpod™ XL50R50 Patented

DESCRIPTION

Minimalist point source LED fixture with multiple outputs for use in hollow metal structures such as guard rails, awnings, canopies and custom luminaires.

Please note: these fixtures are not for use in hand rail.

HOUSING

Clear anodized aluminum body as standard. Color-match anodized as an option, consult factory.

Aluminum body has a fine 25-micron finish and is hard-coat anodized, thus preventing galvanic corrosion.

MOUNTING

Unique concealed internal mounting wings hold the fixture in place, deployed via unobtrusive screw holes with patent-pending anti-tamper screws.

- Tube Size: XL50 Flat: RHS min 2.75" height, Max. wall .3125"
- Cut Out: Ø1.90" [48mm]
- Weight: 0.43LBs

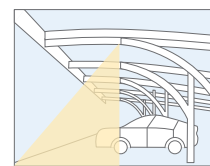
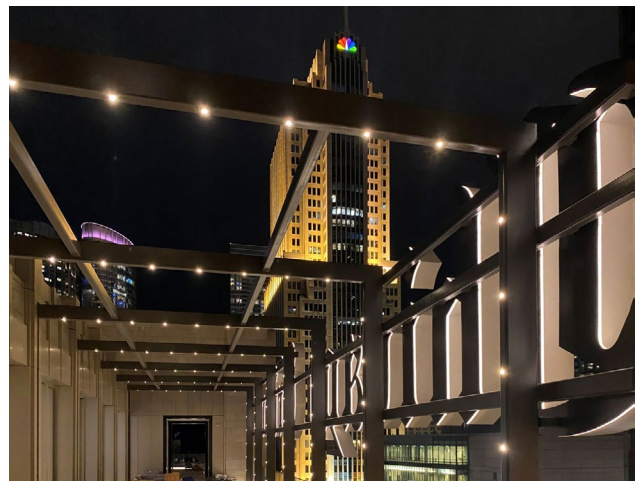
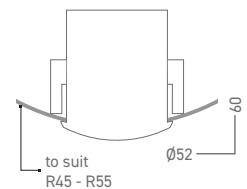
ELECTRICAL/LED DRIVER

- Input Voltage: 24 VDC
- Operating Temp: -40 to 120° F
- Efficiency: Up to 120 lm/W
- Driver: Must use class 2 driver
- Primary Driver: 110 - 277 VAC UL Listed Constant Voltage Pool/Spa-rated transformer required per NEC as applicable
- Secondary Driver: Constant Current (provided with fixture)
- Control: DALI, 0-10V, DMX
- DMX control typically for dimming only; Contact factory for RGBW options
- Enclosure: Minimum NEMA2 for indoor, NEMA 3R for outdoor
- Wire connectors provided; factory wire-harness available, consult factory

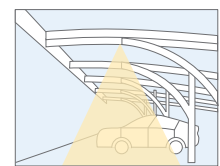
* Please note, all KLIK fixtures are now dimmable as standard
** Must purchase Driver and Enclosure through KLIK to hold warranty

LISTINGS

- ETL/cETL listed, UL 1598/CSA 22.2; CE
- IP65 rated All IP rated luminaires tested to AS60529-2004 Degrees of protection provided by enclosures (IP Code)
- Class 2 device
- Wet location rated
- IC rated at 350mA without fixture enclosure/500mA with fixture enclosure
- International Dark Sky Association Certified (Color temperature must be Amber or less than 3000K)



Asymmetrical



Symmetrical



ETL listed
UL 1598/CSA 22.2; CE



Weatherproof Rating:
IP65 Wet location rated



LED Operating Temp:
-40°F - 160°F



Impact resistance:
IK08



3G Vibration
per MIL-STD-810G



Wildlife friendly



International Dark Sky
Association Certified
Amber ≤ 3000K

* All IP rated luminaires tested to AS60529-2004 Degrees of protection provided by enclosures (IP Code)

KLIK LEDpod™ XL50R50 Patented

SPECIFICATION TABLE

Follow the steps to specify your fixture. Enter Product Code in field at top of page. Example: XL50R5030K500SFLDOTK

Fixture Type	Color Temp [K]	Output [W]	Distribution	Optic	Lens Options	Bezel Color Options ¹	Custom Wall ¹	Control
XL50R50	27K 2700K	175 175mA 2.9W	A Asymmetric* S Symmetric	SPT Spot	CLR Clear lens [Std]	- Marine grade anodized [Std]	0.25 For 1/4" Wall	- 0-10V Dim
	30K 3000K	250 250mA 3.2W		NFL Narrow Flood	FRS* Opaque frost	DUL Dulux Colors - Request Guide		DMX1 DMX 1 Ch
	35K 3500K	350 350mA 4.3W		FLD Flood	OTK Optical filter	SPC Standard Powdercoat		DMX4 DMX 4 Ch
	40K 4000K	500 500mA 6.0W		SPTRFL Spot Reflector	SOL Solite lens	BRS Antique Brass		PH Phase Dim
	AMB FWC Amber	600 600mA 8.4W		NFLRFL Narrow Flood Reflector		BLK Black Anodized		
	PCA Phos-converted Amber			FLDRFL Flood Reflector		BZ Bronze		
	R Red					ANT Dark Antique		
	G Green					GLD Rose Gold		
	B Blue					SHR Diode shroud for vertical mount in post		
	RGB3 RGBW 3K ²							
RGB4 RGBW 4K ²			* FLD optic only	*Frosted only with FLDRFL				

¹Additional charges and lead time apply for this feature ² RGBW limited to 4 channels at 175mA [2.5 Watt TOTAL]

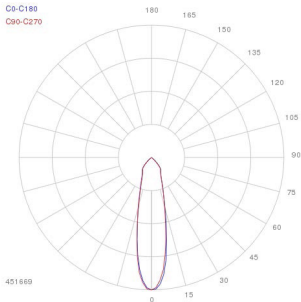
LED PERFORMANCE

LED: Cree XT-E
CCT: 2700, 3000, 4000 (others available)

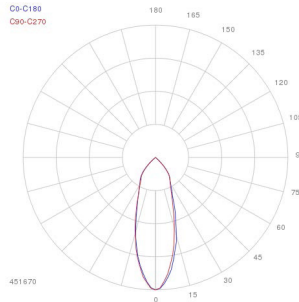
CRI: 80-85
Life: 80% at 50k hrs and 85° C

Binning: 3 MacAdam Steps
Warranty: 5 Year Warranty

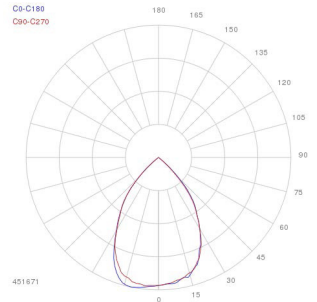
SPT



NFL



FLD



OPTICS			LENS			REFLECTOR		
Beam Angle			SP spot 26°	NFL narrow flood 32°	FL flood 62°	SP spot 24°	NFL narrow flood 30°	FL flood 64°
LOR defined by optics			78	77	78	90	87	88
lm	W	mA	System Lumens @4000K					
300	2.9	175	234	231	234	270	260	264
375	3.2	250	293	289	293	338	325	330
525	4.3	350	410	405	410	473	456	462
690	6.0	500	539	532	539	621	600	607
810	8.4	600	632	624	632	729	704	712

KLIK LEDpod™ XL50R50 Patented

REMOTE MOUNTING DISTANCE CHART

24 VDC 100W Driver	Approx. distance to first LED at 500mA with 10 fixtures on circuit			
Wire Size	10 AWG	12 AWG	14 AWG	16 AWG
Distance	525'	280'	170'	105'

Consult factory for conditions outside this guidance.

PRIMARY DRIVER

	Secondary LED Driver	Spacing	Maximum KLIK LEDpods™*
110 - 277 Primary Voltage Remotely Mounted Dimming Control 10" x 1.5" x 2"	600mA	8'	9
	500mA	8'	12
	350mA	8'	18
	250mA	8'	24
	175mA	8'	32

*Based on 16 AWG between LEDpods

REMOTE POWER SUPPLIES [PSUs]

LP040WPRITRNDIMIP	Class 2; 40W; 0-10 Dim Constant Voltage Remote PSU [IP67 (Temp Submersion) Rated; -40°C ~ +85°C]
LP096WPRITRNDIM	Class 2; 96W; 0-10 Dim Constant Voltage Remote PSU [IP67 (Temp Submersion) Rated; -40°C ~ +80°C]
LP100WPRITRNDIM	Class 2; 96W; 0-10 Dim Constant Voltage Remote PSU [IP64 (Damp Location) Rated; -25°C ~ +40°C]
LPQZ96WUNV24VPH010	Class 2; 96W; Phase or 0-10 Dim Constant Voltage Remote PSU [IP66 (Wet Location) Rated; -40°C ~ +60°C]
LPQZ96WUNV24VDMX1CH	Class 2; 96W; 8-Bit DMX Dim Constant Voltage Remote PSU [IP66 (Wet Location) Rated; -40°C ~ +60°C]
LPQZ96WUNV24VDMX4CH	Class 2; 96W; 8-Bit DMX Dim Constant Voltage Remote PSU [IP66 (Wet Location) Rated; -40°C ~ +60°C]

REMOTE NEMA ENCLOSURES

LPNEMA2RENCLJR	NEMA2 INDOOR enclosure for LP100WPRITRNDIM, 12 x 3.3 x 2
LPNEMA3RENCLJR	NEMA3R Drip Proof Enclosure, 4 x 4 x 12 [IP24 Equivalent]
LPNEMA3RXENCLSS	NEMA3 304 Lockable Stainless Steel Drip Proof Enclosure 4 x 4 x 12 [IP24 Equivalent]
LPNEMA4ENCLJR	NEMA4 Watertight Enclosure, 6 x 4 x 12 [IP66 Equivalent]; NEMA4X
LPNEMA4XENCLSSJR	NEMA4 304 Lockable Stainless Steel Watertight Enclosure 6 x 4 x 12 [IP66 Equivalent] NEMA4X
LPNEMA6PTRO	NEMA6 Watertight Enclosure Wiring Trough, 2 x 3 x 14 [IP68 Equivalent]

Additional driver & enclosure configurations available, including IP68 options
Please note the KLIK UL Listing requires purchase of a remote driver and enclosure.

KLIK LEDpod™ XL50R50 Patented FOOTCANDLE CHART

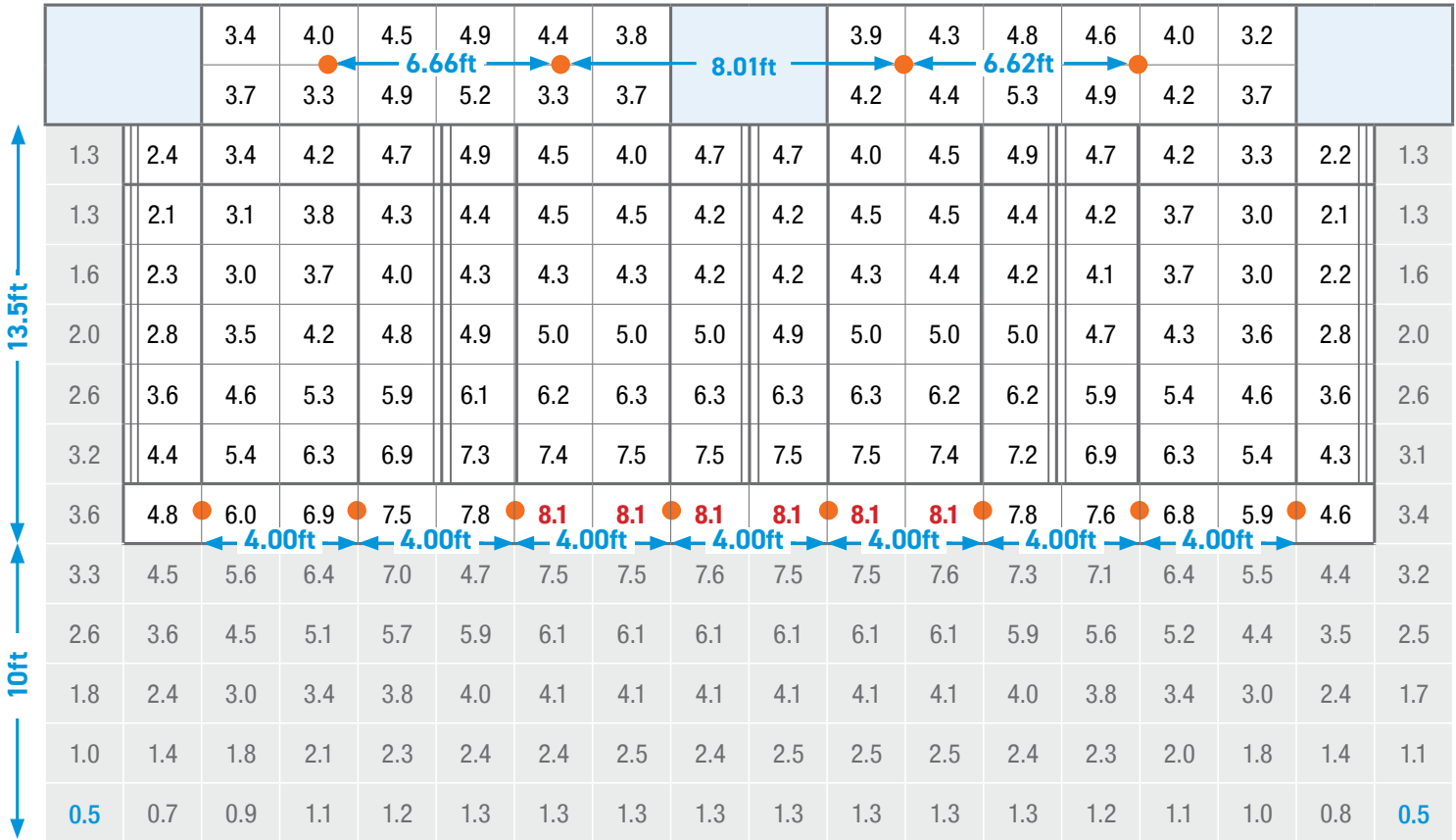
Luminaire Schedule

Symbol	Qty	Label	Arrangement	Luminaire Lumens	LLF	Description	Filename
●	12	B	Single	463	0.900	LPODXL50R50-Dir-RefLens-FL-MTG	LPODXL50R50-Dir-RefLens-FL-MTG2-525lm-4000K-0.030m-451671-B.ies

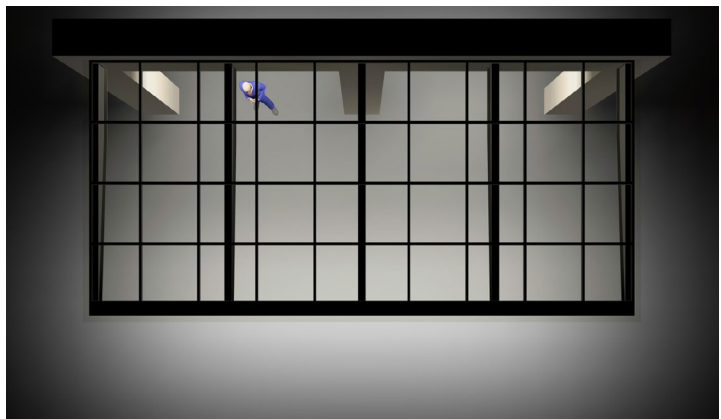
MH = Mounting Height [ft]

Calculation Summary

Label	CalcType	Units	Avg	Max	Min	Avg/Min	Max/Min	Description
CANOPY AREA	Illuminance	Fc	4.22	8.1	0.5	21.10	40.50	readings taken at grade



Front Perspective



Top Perspective

KLIK LEDpod™ XL50R50 Patented FOOTCANDLE CHART

Luminaire Schedule

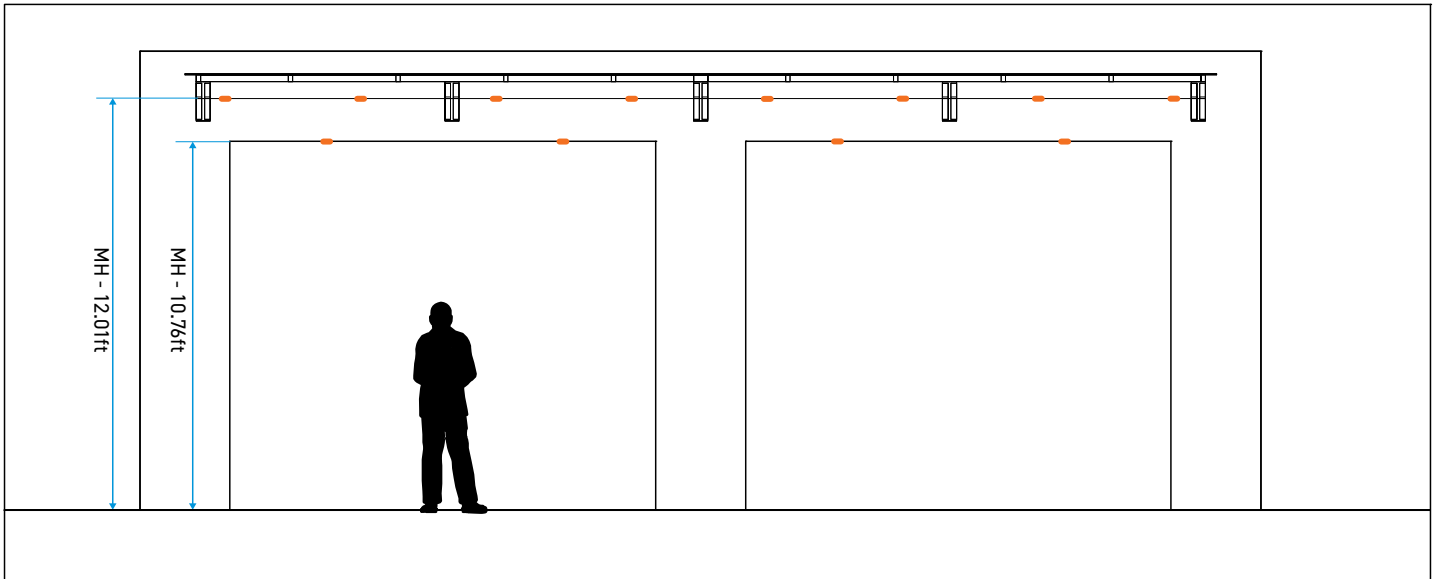
Symbol	Qty	Label	Arrangement	Luminaire Lumens	LLF	Description	Filename
●	12	B	Single	463	0.900	LPODXL50R50-Dir-RefLens-FL-MTG	LPODXL50R50-Dir-RefLens-FL-MTG2-525lm-4000K-0.030m-451671-B.ies

MH = Mounting Height [ft]

Calculation Summary

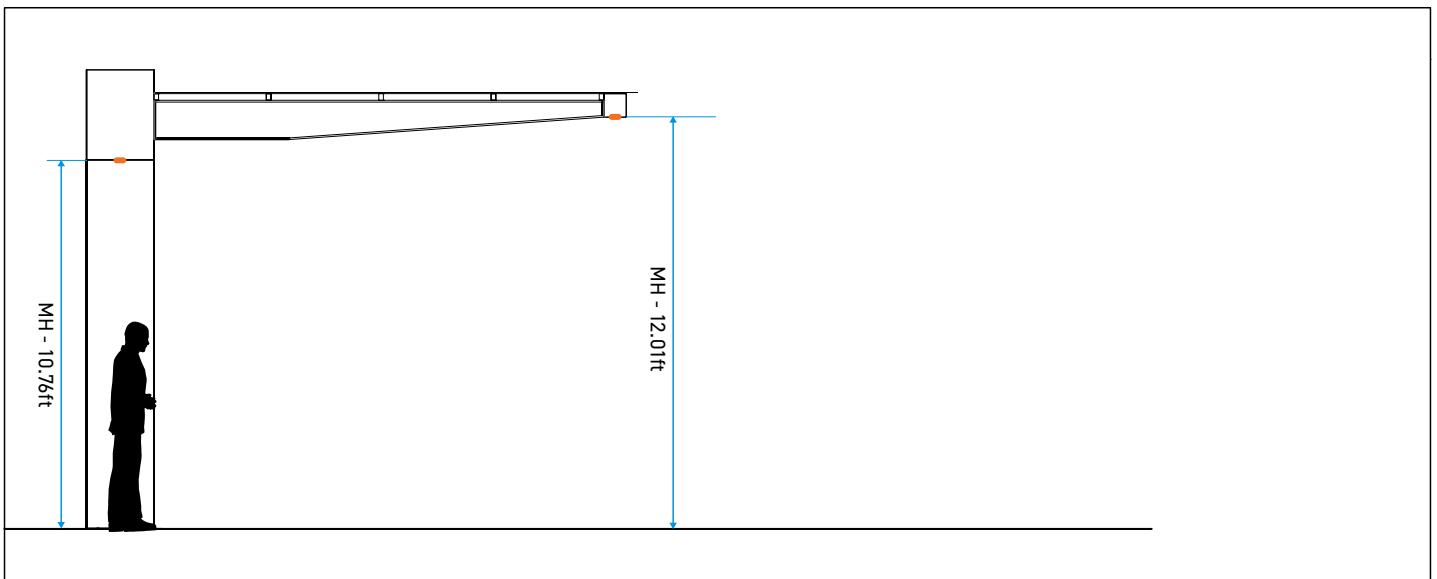
Label	CalcType	Units	Avg	Max	Min	Avg/Min	Max/Min	Description
CANOPY AREA	Illuminance	Fc	4.22	8.1	0.5	21.10	40.50	readings taken at grade

MOUNTING HEIGHT FRONT VIEW



Mounting Height - MH

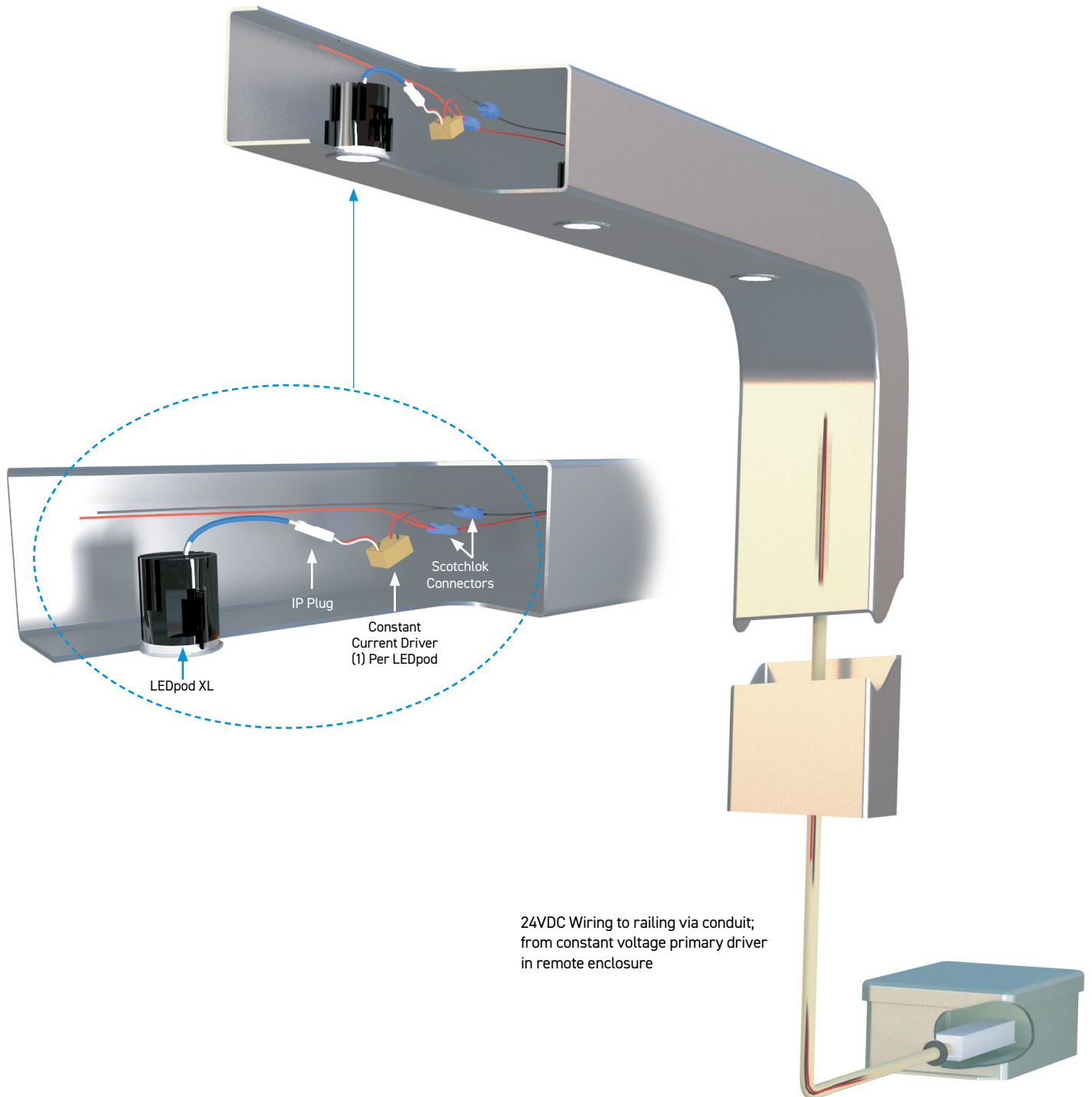
MOUNTING HEIGHT SIDE VIEW



Mounting Height - MH

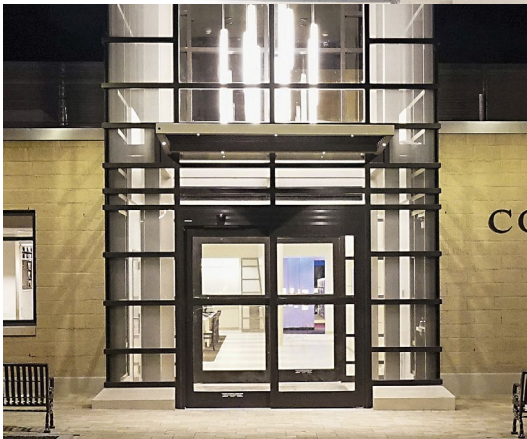
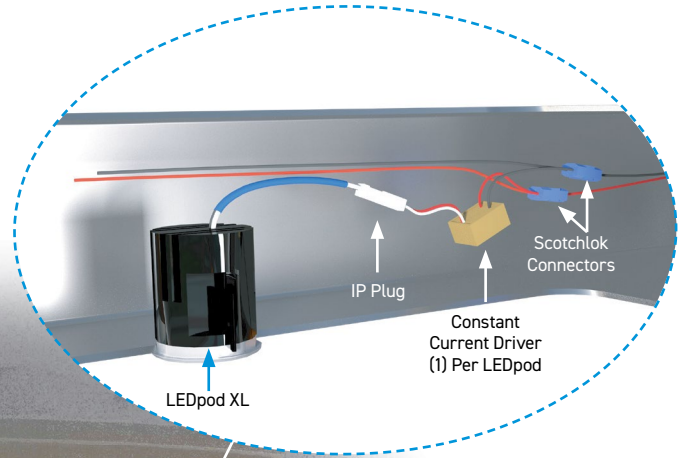
KLK LEDpod™ XL50R50 Patented

WIRING DIAGRAM Through Metal Structure



KLK LEDpod™ XL50R50 Patented

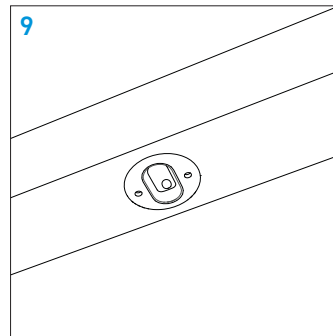
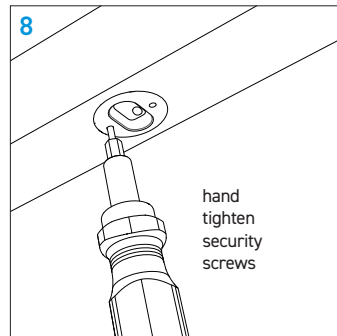
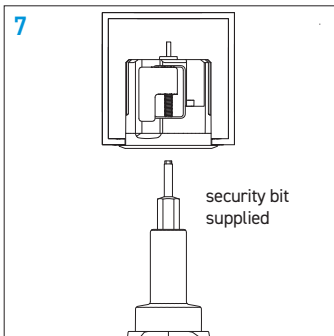
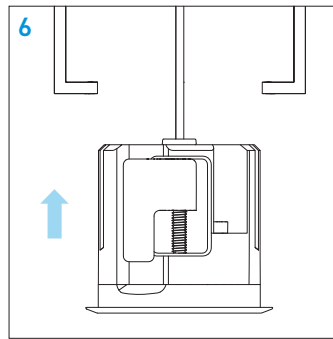
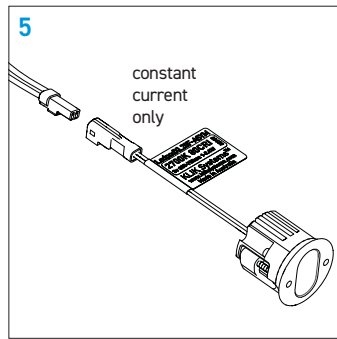
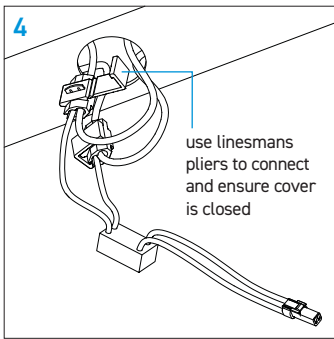
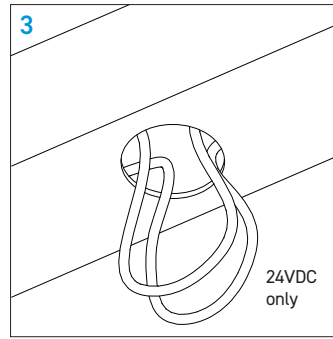
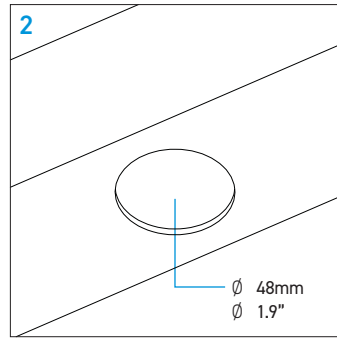
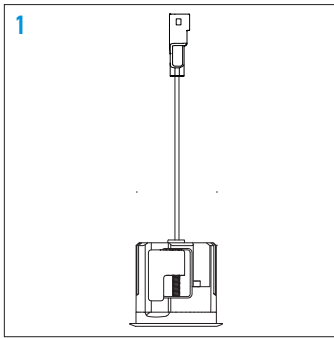
WIRING DIAGRAM Through Building



24VDC Wiring to railing via conduit;
from constant voltage primary driver
in remote enclosure

KLIK LEDpod™ XL50R50 Patented

INSTALLATION INSTRUCTIONS Additional instructions may apply, consult factory.



WARNING

- Risk of fire or electric shock.
- Disconnect all power before installing or servicing.
- Installation Instruction for qualified electricians only.
- Install per National Electrical Code and local regulations.
- Read Installation Instructions completely before installation.
- Failure to follow Installation Instructions may void warranties.

To reduce risk of electric shock turn off the electrical supply before installing or servicing the light fixtures and driver. Failure to do so may result in serious injury and/or damage to the components.

This product must be installed in accordance with the applicable installation code by a person familiar with the construction and operation of the product and the hazards involved.

The light source contained in this luminaire shall only be replaced by the manufacturer or the service agent or a similar qualified person.