

Project Name: ..... Location: .....

Specifier: ..... Rep Agency: .....

Fixture Type: ..... Product Code: .....

# KLIK LEDpod™ XL50F Patented

## DESCRIPTION

Minimalist point source LED fixture with multiple outputs for use in hollow metal structures such as guard rails, awnings, canopies and custom luminaires.

**Please note:** these fixtures are not for use in hand rail.

## HOUSING

Clear anodized aluminum body as standard. Color-match anodized as an option, consult factory.

Aluminum body has a fine 25-micron finish and is hard-coat anodized, thus preventing galvanic corrosion.

## MOUNTING

Unique concealed internal mounting wings hold the fixture in place, deployed via unobtrusive screw holes with patent-pending anti-tamper screws.

- Tube Size: XL50 Flat: RHS min 2.75" height, Max. wall .3125"
- Cut Out: Ø1.90" [48mm]
- Weight: 0.43LBs

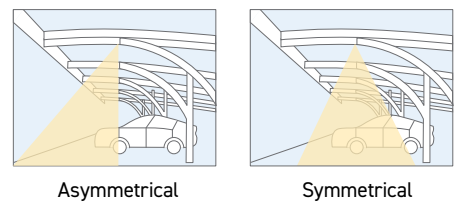
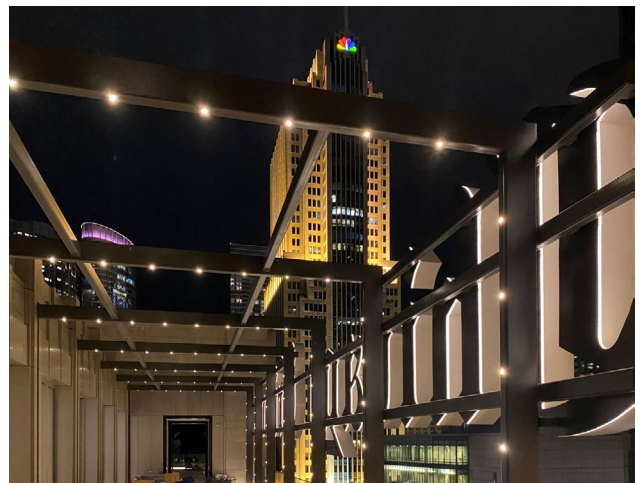
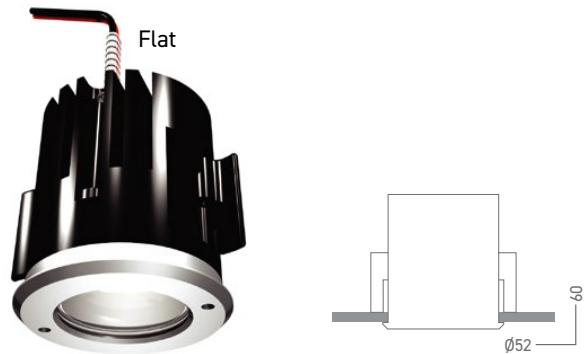
## ELECTRICAL/LED DRIVER

- Input Voltage: 24 VDC
- Operating Temp: -40 to 120° F
- Efficiency: Up to 120 lm/W
- Driver: Must use class 2 driver
- Primary Driver: 110 - 277 VAC UL Listed Constant Voltage Pool/Spa-rated transformer required per NEC as applicable
- Secondary Driver: Constant Current (provided with fixture)
- Control: DALI, 0-10V, DMX
- DMX control typically for dimming only; Contact factory for RGBW options
- Enclosure: Minimum NEMA2 for indoor, NEMA 3R for outdoor
- Wire connectors provided; factory wire-harness available, consult factory

\* Please note, all KLIK fixtures are now dimmable as standard  
\*\* Must purchase Driver and Enclosure through KLIK to hold warranty

## LISTINGS

- ETL/cETL listed, UL 1598/CSA 22.2; CE
- IP65 rated All IP rated luminaires tested to AS60529-2004 Degrees of protection provided by enclosures (IP Code)
- Class 2 device
- Wet location rated
- IC rated at 350mA without fixture enclosure/500mA with fixture enclosure
- International Dark Sky Association Certified (Color temperature must be Amber or less than 3000K )



ETL listed  
UL 1598/CSA 22.2; CE



Weatherproof Rating:  
IP65 Wet location rated



LED Operating Temp:  
-40°F - 160°F



Impact resistance:  
IK08



3G Vibration  
per MIL-STD-810G



Wildlife friendly



International Dark Sky  
Association Certified  
Amber ≤ 3000K

\* All IP rated luminaires tested to AS60529-2004 Degrees of protection provided by enclosures (IP Code)

# KLIK LEDpod™ XL50F Patented

## SPECIFICATION TABLE

Follow the steps to specify your fixture. Enter Product Code in field at top of page. Example: XL50F0030K500SFLDOTK

Fixture Type	Color Temp [K]	Output [W]	Distribution	Optic	Lens Options	Bezel Color Options <sup>1</sup>	Custom Wall <sup>1</sup>	Control
XL50F00	27K 2700K	175 175mA 2.9W	<b>A</b> Asymmetric* <b>S</b> Symmetric	<b>SPT</b> Spot <b>NFL</b> Narrow Flood <b>FLD</b> Flood <b>SPTNFL</b> Spot Reflector <b>NFLNFL</b> Narrow Flood Reflector <b>FLDRFL</b> Flood Reflector	<b>CLR</b> Clear lens [Std] <b>FRS*</b> Opaque frost <b>OTK</b> Optical filter <b>SOL</b> Solite lens	<b>-</b> Marine grade anodized [Std] <b>DUL</b> Dulux Colors - Request Guide <b>SPC</b> Standard Powdercoat <b>BRS</b> Antique Brass <b>BLK</b> Black Anodized <b>BZ</b> Bronze <b>ANT</b> Dark Antique <b>GLD</b> Rose Gold <b>SHR</b> Diode shroud for vertical mount in post	<b>0.25</b> For 1/4" Wall	<b>-</b> 0-10V Dim <b>DMX1</b> DMX 1 Ch <b>DMX4</b> DMX 4 Ch <b>PH</b> Phase Dim
	30K 3000K	250 250mA 3.2W						
	35K 3500K	350 350mA 4.3W						
	40K 4000K	500 500mA 6.0W						
	AMB FWC Amber	600 600mA 8.4W						
	PCA Phos-converted Amber							
	R Red							
	G Green							
	B Blue							
	RGB3 RGBW 3K <sup>1,2</sup>							
RGB4 RGBW 4K <sup>1,2</sup>								

<sup>1</sup>Additional charges and lead time apply for this feature <sup>2</sup> RGBW limited to 4 channels at 175mA [2.5 Watt TOTAL]

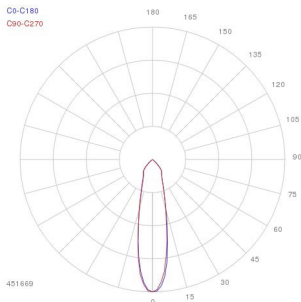
## LED PERFORMANCE

LED: Cree XT-E  
CCT: 2700, 3000, 4000 (others available)

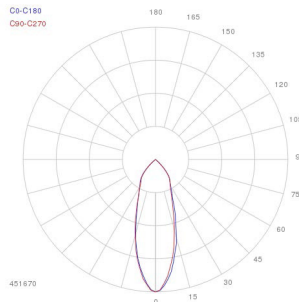
CRI: 80-85  
Life: 80% at 50k hrs and 85° C

Binning: 3 MacAdam Steps  
Warranty: 5 Year Warranty

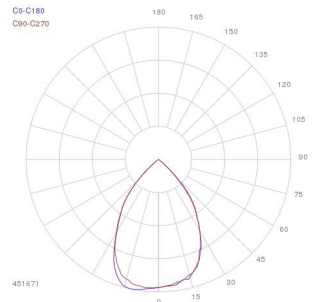
SPT



NFL



FLD



OPTICS			LENS			REFLECTOR		
Beam Angle			SP spot 26°	NFL narrow flood 32°	FL flood 62°	SP spot 24°	NFL narrow flood 30°	FL flood 64°
LOR defined by optics			78	77	78	90	87	88
lm	W	mA	System Lumens @4000K					
300	2.9	175	234	231	234	270	260	264
375	3.2	250	293	289	293	338	325	330
525	4.3	350	410	405	410	473	456	462
690	6.0	500	539	532	539	621	600	607
810	8.4	600	632	624	632	729	704	712

# KLIK LEDpod™ XL50F Patented

## REMOTE MOUNTING DISTANCE CHART

24 VDC 100W Driver	Approx. distance to first LED at 500mA with 10 fixtures on circuit			
Wire Size	10 AWG	12 AWG	14 AWG	16 AWG
Distance	525'	280'	170'	105'

Consult factory for conditions outside this guidance.

## PRIMARY DRIVER

	Secondary LED Driver	Spacing	Maximum KLIK LEDpods™*
110 - 277 Primary Voltage Remotely Mounted Dimming Control 10" x 1.5" x 2"	600mA	8'	9
	500mA	8'	12
	350mA	8'	18
	250mA	8'	24
	175mA	8'	32

\*Based on 16 AWG between LEDpods

## REMOTE POWER SUPPLIES [PSUs]

LP040WPRITRNDIMIP	Class 2; 40W; 0-10 Dim Constant Voltage Remote PSU [IP67 (Temp Submersion) Rated; -40°C ~ +85°C]
LP096WPRITRNDIM	Class 2; 96W; 0-10 Dim Constant Voltage Remote PSU [IP67 (Temp Submersion) Rated; -40°C ~ +80°C]
LP100WPRITRNDIM	Class 2; 96W; 0-10 Dim Constant Voltage Remote PSU [IP64 (Damp Location) Rated; -25°C ~ +40°C]
LPQZ96WUNV24VPH010	Class 2; 96W; Phase or 0-10 Dim Constant Voltage Remote PSU [IP66 (Wet Location) Rated; -40°C ~ +60°C]
LPQZ96WUNV24VDMX1CH	Class 2; 96W; 8-Bit DMX Dim Constant Voltage Remote PSU [IP66 (Wet Location) Rated; -40°C ~ +60°C]
LPQZ96WUNV24VDMX4CH	Class 2; 96W; 8-Bit DMX Dim Constant Voltage Remote PSU [IP66 (Wet Location) Rated; -40°C ~ +60°C]

## REMOTE NEMA ENCLOSURES

LPNEMA2RENCLJR	NEMA2 INDOOR enclosure for LP100WPRITRNDIM, 12 x 3.3 x 2
LPNEMA3RENCLJR	NEMA3R Drip Proof Enclosure, 4 x 4 x 12 [IP24 Equivalent]
LPNEMA3RXENCLSS	NEMA3 304 Lockable Stainless Steel Drip Proof Enclosure 4 x 4 x 12 [IP24 Equivalent]
LPNEMA4ENCLJR	NEMA4 Watertight Enclosure, 6 x 4 x 12 [IP66 Equivalent]; NEMA4X
LPNEMA4XENCLSSJR	NEMA4 304 Lockable Stainless Steel Watertight Enclosure 6 x 4 x 12 [IP66 Equivalent] NEMA4X
LPNEMA6PTRO	NEMA6 Watertight Enclosure Wiring Trough, 2 x 3 x 14 [IP68 Equivalent]

Additional driver & enclosure configurations available, including IP68 options  
Please note the KLIK UL Listing requires purchase of a remote driver and enclosure.

# KLIK LEDpod™ XL50F Patented FOOTCANDLE CHART

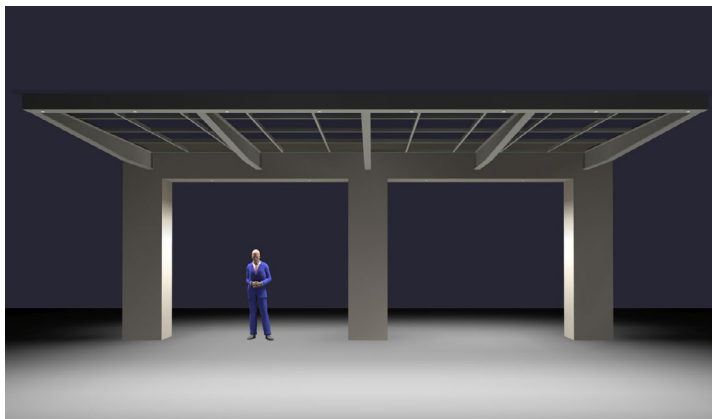
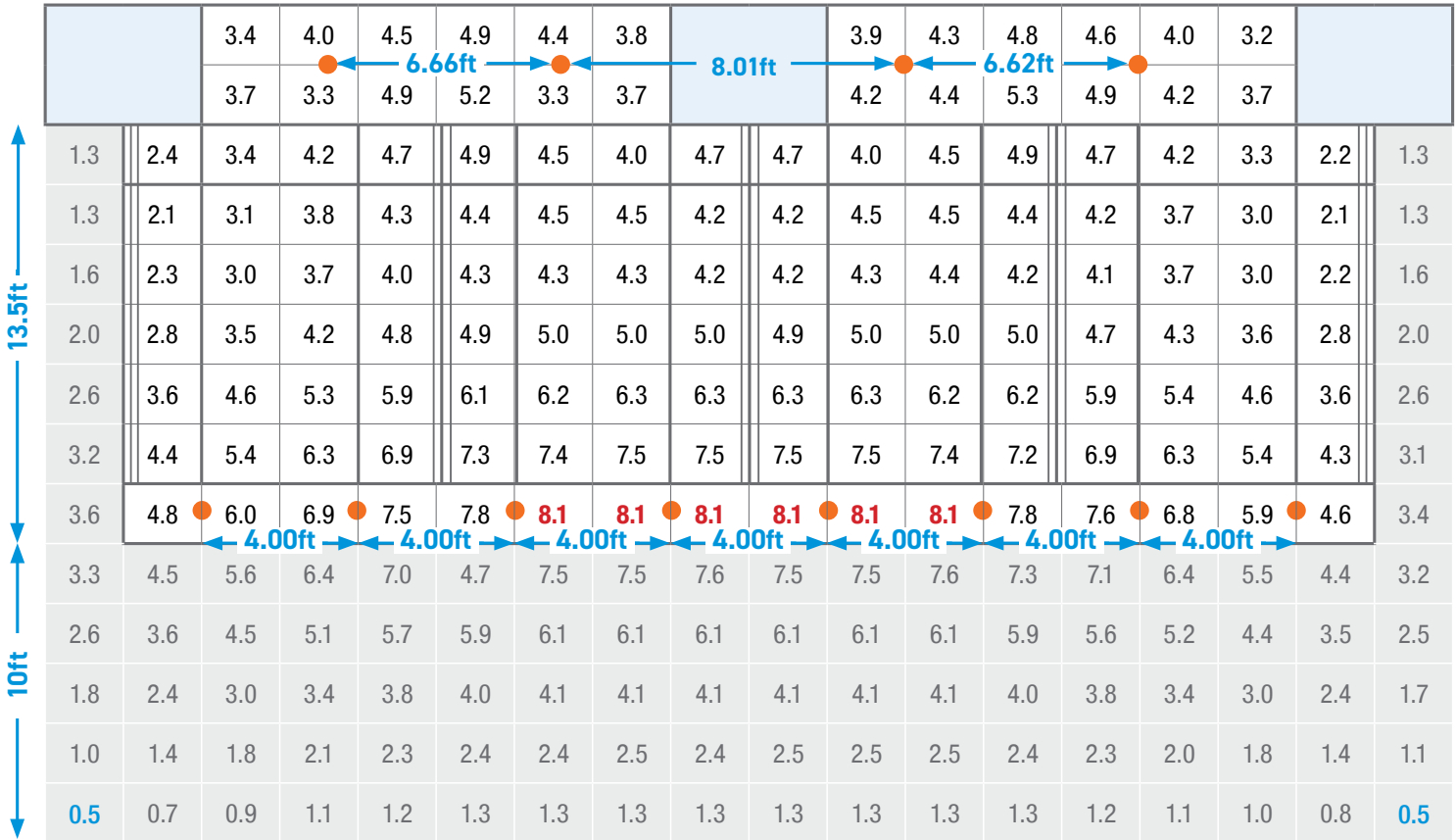
## Luminaire Schedule

Symbol	Qty	Label	Arrangement	Luminaire Lumens	LLF	Description	Filename
●	12	B	Single	463	0.900	LPODXL50F-Dir-RefLens-FL-MTG	LPODXL50F-Dir-RefLens-FL-MTG2-525lm-4000K-0.030m-451671-B.ies

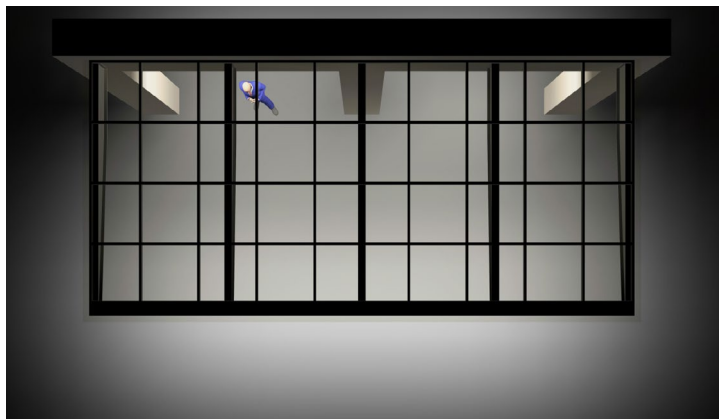
MH = Mounting Height [ft]

## Calculation Summary

Label	CalcType	Units	Avg	Max	Min	Avg/Min	Max/Min	Description
CANOPY AREA	Illuminance	Fc	4.22	8.1	0.5	21.10	40.50	readings taken at grade



Front Perspective



Top Perspective

# KLIK LEDpod™ XL50F Patented FOOTCANDLE CHART

## Luminaire Schedule

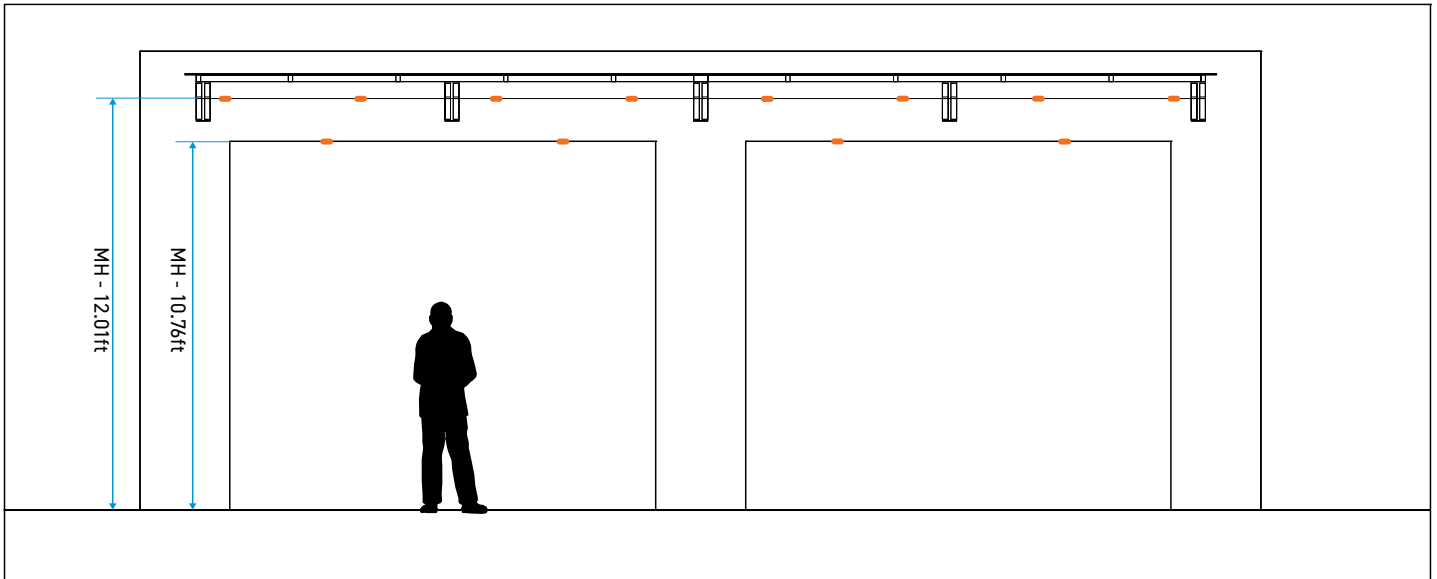
Symbol	Qty	Label	Arrangement	Luminaire Lumens	LLF	Description	Filename
●	12	B	Single	463	0.900	LPODXL50F-Dir-RefLens-FL-MTG	LPODXL50F-Dir-RefLens-FL-MTG2-525lm-4000K-0.030m-451671-B.ies

MH = Mounting Height [ft]

## Calculation Summary

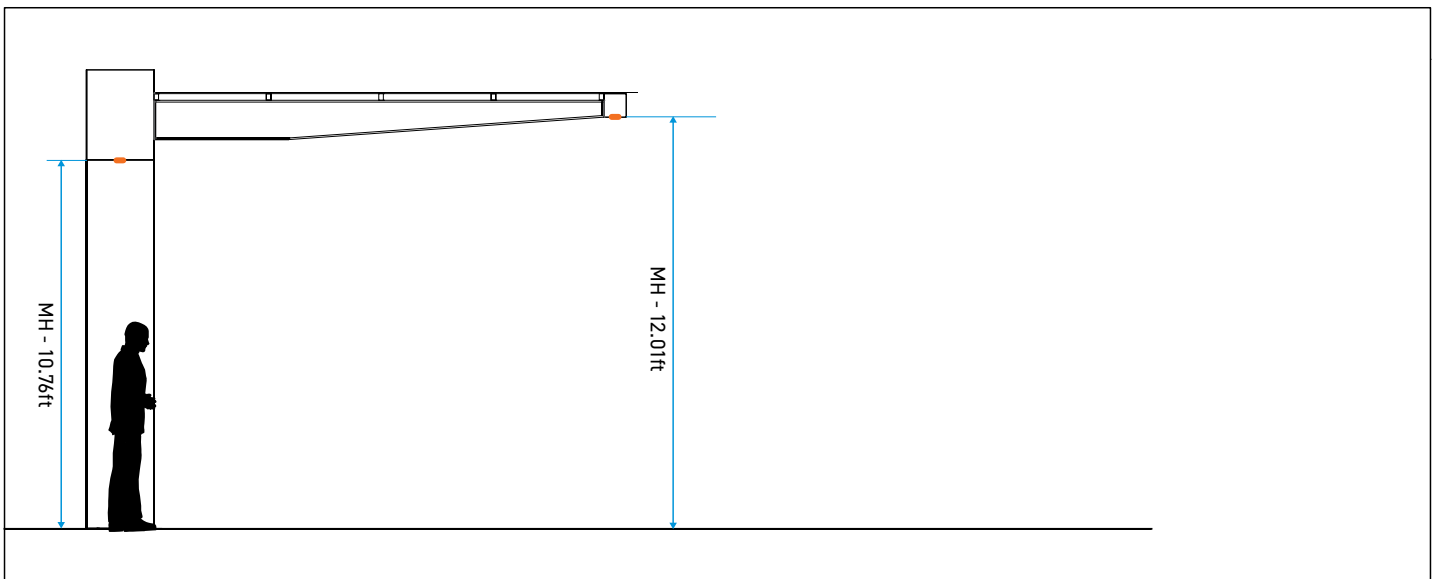
Label	CalcType	Units	Avg	Max	Min	Avg/Min	Max/Min	Description
CANOPY AREA	Illuminance	Fc	4.22	8.1	0.5	21.10	40.50	readings taken at grade

## MOUNTING HEIGHT FRONT VIEW



Mounting Height - MH

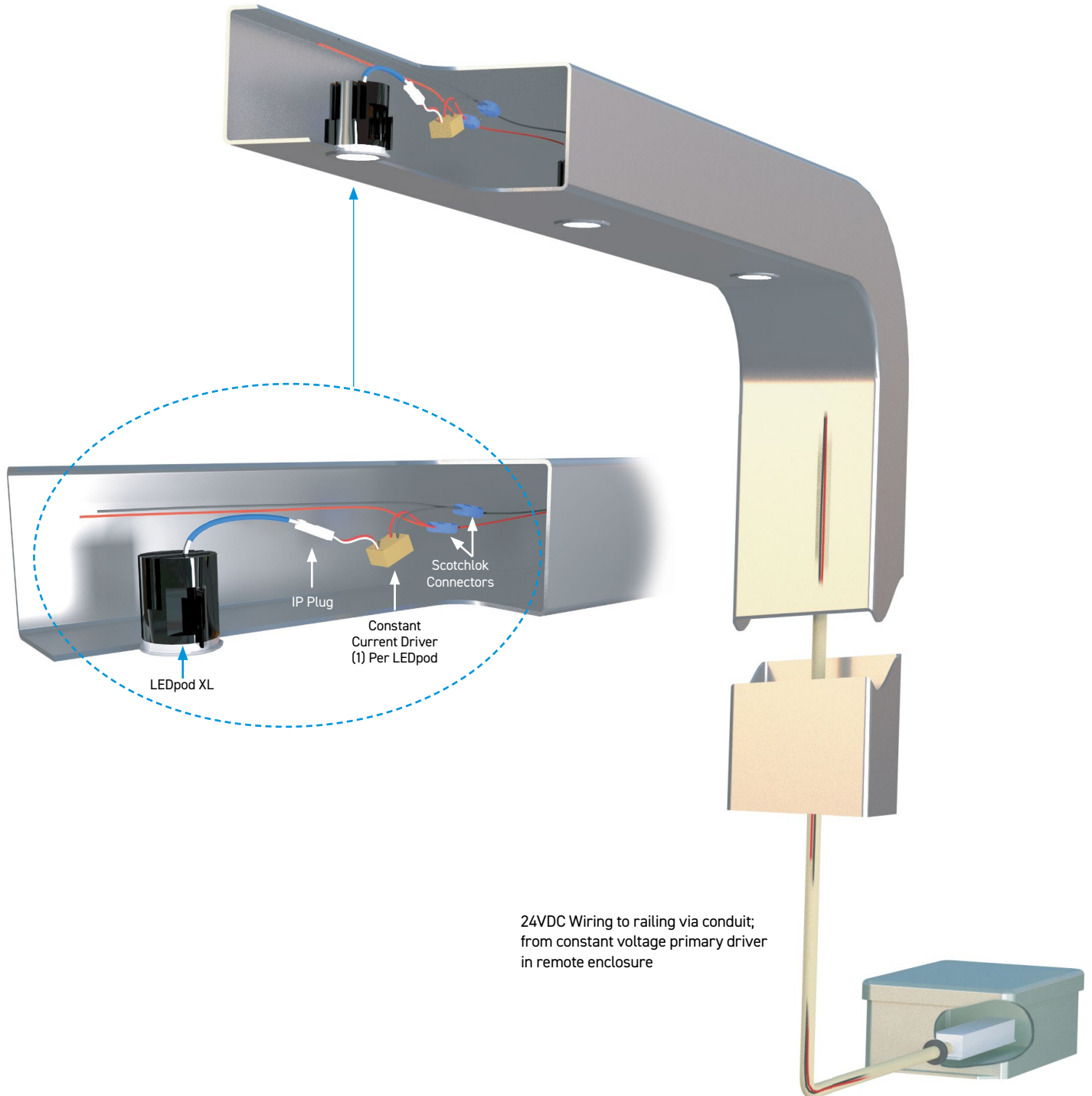
## MOUNTING HEIGHT SIDE VIEW



Mounting Height - MH

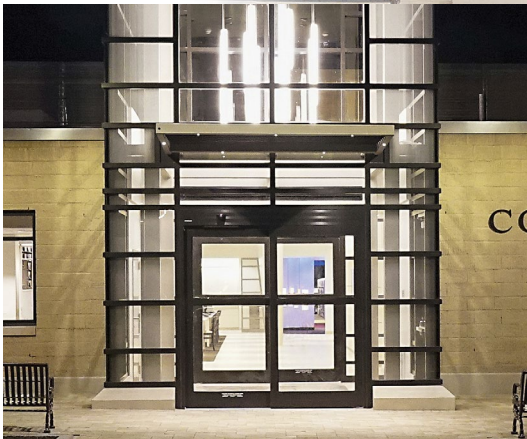
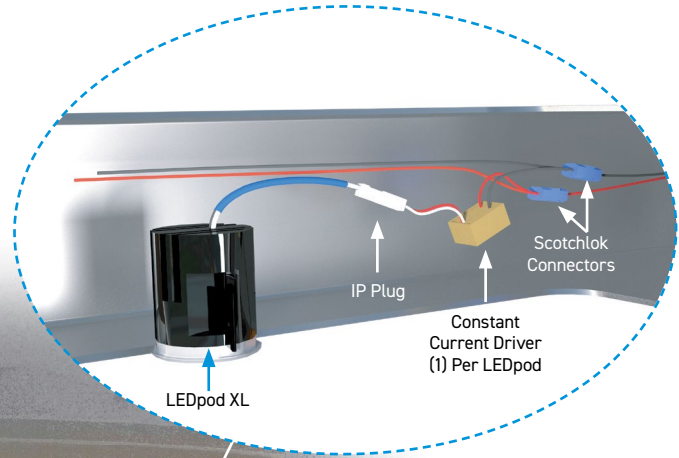
# KLIK LEDpod™ XL50F Patented

## WIRING DIAGRAM Through Metal Structure



# KLK LEDpod™ XL50F Patented

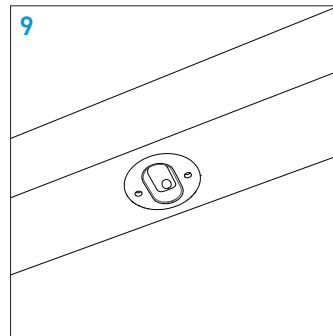
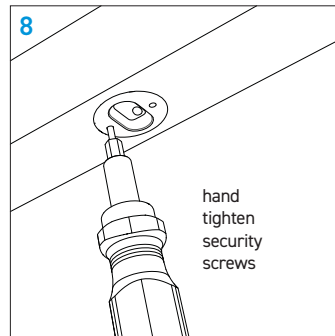
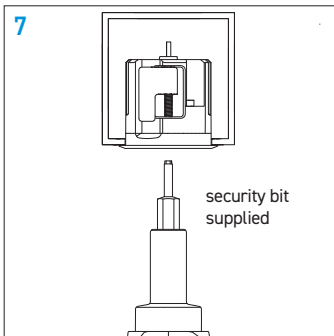
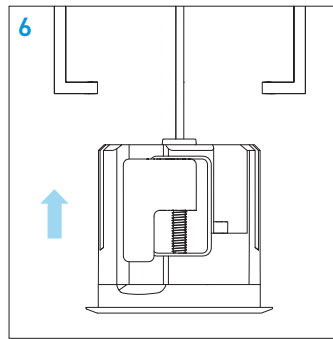
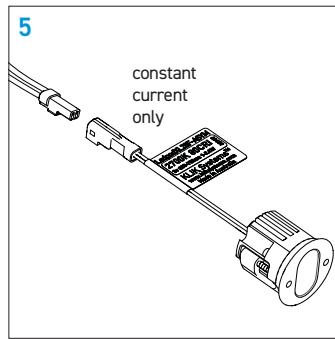
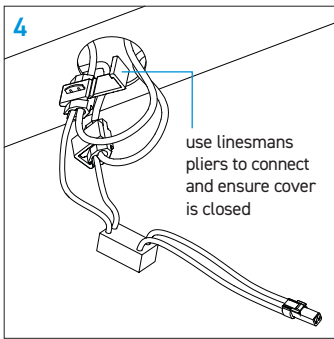
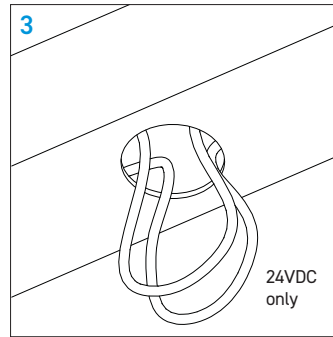
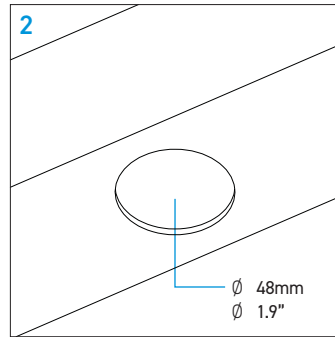
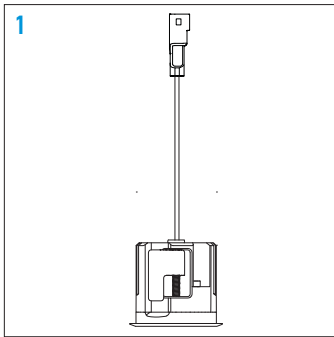
## WIRING DIAGRAM Through Building



24VDC Wiring to railing via conduit;  
from constant voltage primary driver  
in remote enclosure

# KLIK LEDpod™ XL50F Patented

## INSTALLATION INSTRUCTIONS Additional instructions may apply, consult factory.



### WARNING

- Risk of fire or electric shock.
- Disconnect all power before installing or servicing.
- Installation Instruction for qualified electricians only.
- Install per National Electrical Code and local regulations.
- Read Installation Instructions completely before installation.
- Failure to follow Installation Instructions may void warranties.

To reduce risk of electric shock turn off the electrical supply before installing or servicing the light fixtures and driver. Failure to do so may result in serious injury and/or damage to the components.

This product must be installed in accordance with the applicable installation code by a person familiar with the construction and operation of the product and the hazards involved.

The light source contained in this luminaire shall only be replaced by the manufacturer or the service agent or a similar qualified person.