

Project Name: Location:

Specifier: Rep Agency:

Fixture Type: Product Code:

KLIK LEDpod™ XL32R50 Patented

DESCRIPTION

Discrete, easy to install, LED downlight for use in hollow metal structures such as guardrails, awnings, canopies, trellises and bus shelters. Available in both asymmetric and symmetric options with multiple lens options.

Note – Consult factory for guidance on handrail sizing; not intended for standard IBC handrail.

HOUSING

IP65, IK08, clear anodized aluminum body. Color match anodized as an option to color match the material into which the downlight can be installed.

Aluminum housing has a marine grade hard-anodized 25-micron finish, thus preventing galvanic corrosion.

MOUNTING

Unique concealed internal mounting wings hold the fixture in place, the wings are deployed via patented anti-tamper screws through unobtrusive screw holes in the bezel.

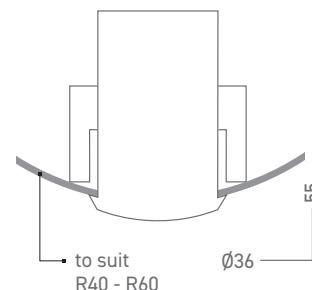
- RHS Minimum internal clearance 2.55" [65mm] height, Max. wall 0.236" [6mm]
- Cut Out: Ø1.26" [32mm]
- Can be customized to suit a thicker wall

ELECTRICAL/LED DRIVER

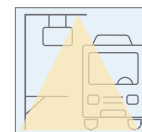
- Input Voltage: 24 VDC
- Primary Driver: KLIK provided Class II, 110 - 277 VAC UL Listed Constant Voltage
- Secondary Driver: 350 - 700mA Constant Current (provided with fixture)
- Control: 0-10V, DALI, DMX [not individually addressable]
- Enclosures: [see details below]
- Wire connectors provided; factory pre-wire available, consult factory

LISTINGS

- ETL listed, UL 1598/CSA 22.2; CE
- cETL
- IP65 [wet location]
- All IP rated luminaires tested to AS60529-2004 Degrees of protection provided by enclosures (IP Code)
- IK08 or IK10 Impact Resistant
- Class 2 Device
- International Dark Sky Certified [Color temperature must be Amber or <3000K]



Asymmetrical



Symmetrical



ETL listed
UL 1598/CSA 22.2; CE



LED Operating Temp:
-40°F - 160°F



Weatherproof Rating:
IP65
Wet location rated



3G Vibration
per MIL-STD-810G



Impact resistance:
IK08



Wildlife friendly



International Dark Sky Association Certified Amber ≤ 3000K

* All IP rated luminaires tested to AS60529-2004 Degrees of protection provided by enclosures (IP Code)

KLIK LEDpod™ XL32R50 Patented

SPECIFICATION TABLE

Follow the steps to specify your fixture. Enter Product Code in field at top of page. Example: XL32R5040K700AFLDCLR

Fixture Type	Color Temp [K]	Output [W]	Distribution	Optic	Lens Options	Bezel Color Options ¹	Custom Wall ¹	Control
XL32R50	27K 2700K	175 175mA 2.9W	A Asymmetric* S Symmetric	NSP Narrow Spot	CLR Clear lens [Std]	- Marine grade anodized [Std]	0.25 For 1/4" Wall	- 0-10V Dim
	30K 3000K	250 250mA 3.2W		SPT Spot	FRS Opaque frost	DUL Dulux Colors - Request Guide		DMX1 DMX 1 Ch
	35K 3500K	350 350mA 4.3W		NFL Narrow Flood	OTK Optical filter	SPC Standard Powdercoat		DMX4 DMX 4 Ch
	40K 4000K	500 500mA 6.0W		FLD Flood	SHR Diode Shroud - Horizontal Mount	BRS Antique Brass		PH Phase Dim
	AMB FWC Amber			SPR 20° x 60° Spread		BLK Black Anodized		
	PCA Phos-converted Amber					BZ Bronze		
	R Red					ANT Dark Antique		
	G Green					GLD Rose Gold		
	B Blue							
	RGB3 RGBW 3K ²							
RGB4 RGBW 4K ²			* FLD optic only					

¹Additional charges and lead time apply for this feature ² RGBW limited to 4 channels at 175mA [2.5 Watt TOTAL]

LEDPOD XL32 SYMMETRIC MODELS

Beam Angle			NSP narrow spot 10° +/-2°	SP spot 20° +/-2°	NFL narrow flood 31° +/-3°	FLD flood 41° +/- 5°	SPR spreader 20x60°
LOR defined by optics			90	89	86	85	87
lm	W	mA	System Lumens @4000K				
179	2.9	175	161	159	155	152	155
243	3.2	250	219	216	209	206	211
320	4.3	350	288	284	275	272	278
422	6.0	500	380	375	363	359	376

LEDPOD XL32 ASYMMETRIC MODELS

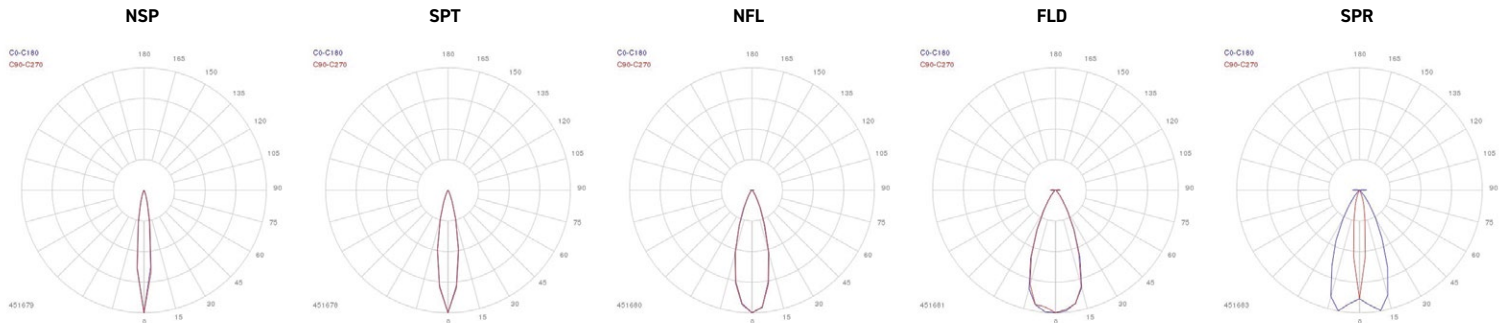
Optics			Reflector
Beam Angle			Asymmetric
LOR defined by optics			80%
lm	W	mA	System Lumens @4000K
432	4.3	350	345

LED PERFORMANCE

LED: Cree XT-E
CCT: 2700, 3000, 4000 (others available)

CRI: 80-85
Life: 80% at 50k hrs and 85° C

Binning: 3 MacAdam Steps
Warranty: 5 Year Warranty



KLIK LEDpod™ XL32R50 Patented

REMOTE MOUNTING DISTANCE CHART

24 VDC 100W Driver	Approx. distance to first LED at 500mA with 10 fixtures on circuit			
Wire Size	10 AWG	12 AWG	14 AWG	16 AWG
Distance	525'	280'	170'	105'

Consult factory for conditions outside this guidance.

PRIMARY DRIVER

110 - 277 Primary Voltage Remotely Mounted Dimming Control 10" x 1.5" x 2"	Secondary LED Driver	Spacing	Maximum KLIK LEDpods™*
	500mA	8'	18
	350mA	8'	18
	250mA	8'	24
	175mA	8'	32

*Based on 16 AWG between LEDpods

REMOTE POWER SUPPLIES [PSUs]

LP040WPRITRNDIMIP	Class 2; 40W; 0-10 Dim Constant Voltage Remote PSU [IP67 (Temp Submersion) Rated; -40°C ~ +85°C]
LP096WPRITRNDIM	Class 2; 96W; 0-10 Dim Constant Voltage Remote PSU [IP67 (Temp Submersion) Rated; -40°C ~ +80°C]
LP100WPRITRNDIM	Class 2; 96W; 0-10 Dim Constant Voltage Remote PSU [IP64 (Damp Location) Rated; -25°C ~ +40°C]
LPQZ96WUNV24VPH010	Class 2; 96W, Phase or 0-10 Dim Constant Voltage Remote PSU [IP66 (Wet Location) Rated; -40°C ~ +60°C]
LPQZ96WUNV24VDMX1CH	Class 2; 96W, 8-Bit DMX Dim Constant Voltage Remote PSU [IP66 (Wet Location) Rated; -40°C ~ +60°C]
LPQZ96WUNV24VDMX4CH	Class 2; 96W, 8-Bit DMX Dim Constant Voltage Remote PSU [IP66 (Wet Location) Rated; -40°C ~ +60°C]

REMOTE NEMA ENCLOSURES

LPNEMA2RENCLJR	NEMA2 INDOOR enclosure for LP100WPRITRNDIM, 12 x 3.3 x 2
LPNEMA3RENCLJR	NEMA3R Drip Proof Enclosure, 4 x 4 x 12 [IP24 Equivalent]
LPNEMA3RXENCLSS	NEMA3 304 Lockable Stainless Steel Drip Proof Enclosure 4 x 4 x 12 [IP24 Equivalent]
LPNEMA4ENCLJR	NEMA4 Watertight Enclosure, 6 x 4 x 12 [IP66 Equivalent]; NEMA4X
LPNEMA4XENCLSSJR	NEMA4 304 Lockable Stainless Steel Watertight Enclosure 6 x 4 x 12 [IP66 Equivalent] NEMA4X
LPNEMA6PTRO	NEMA6 Watertight Enclosure Wiring Trough, 2 x 3 x 14 [IP68 Equivalent]

Additional driver & enclosure configurations available, including IP68 options
Please note the KLIK UL Listing requires purchase of a remote driver and enclosure.

KLIK LEDpod™ XL32R50 Patented FOOTCANDLE CHART

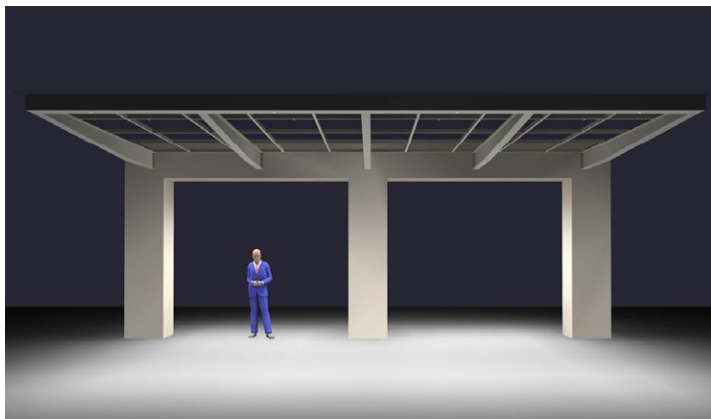
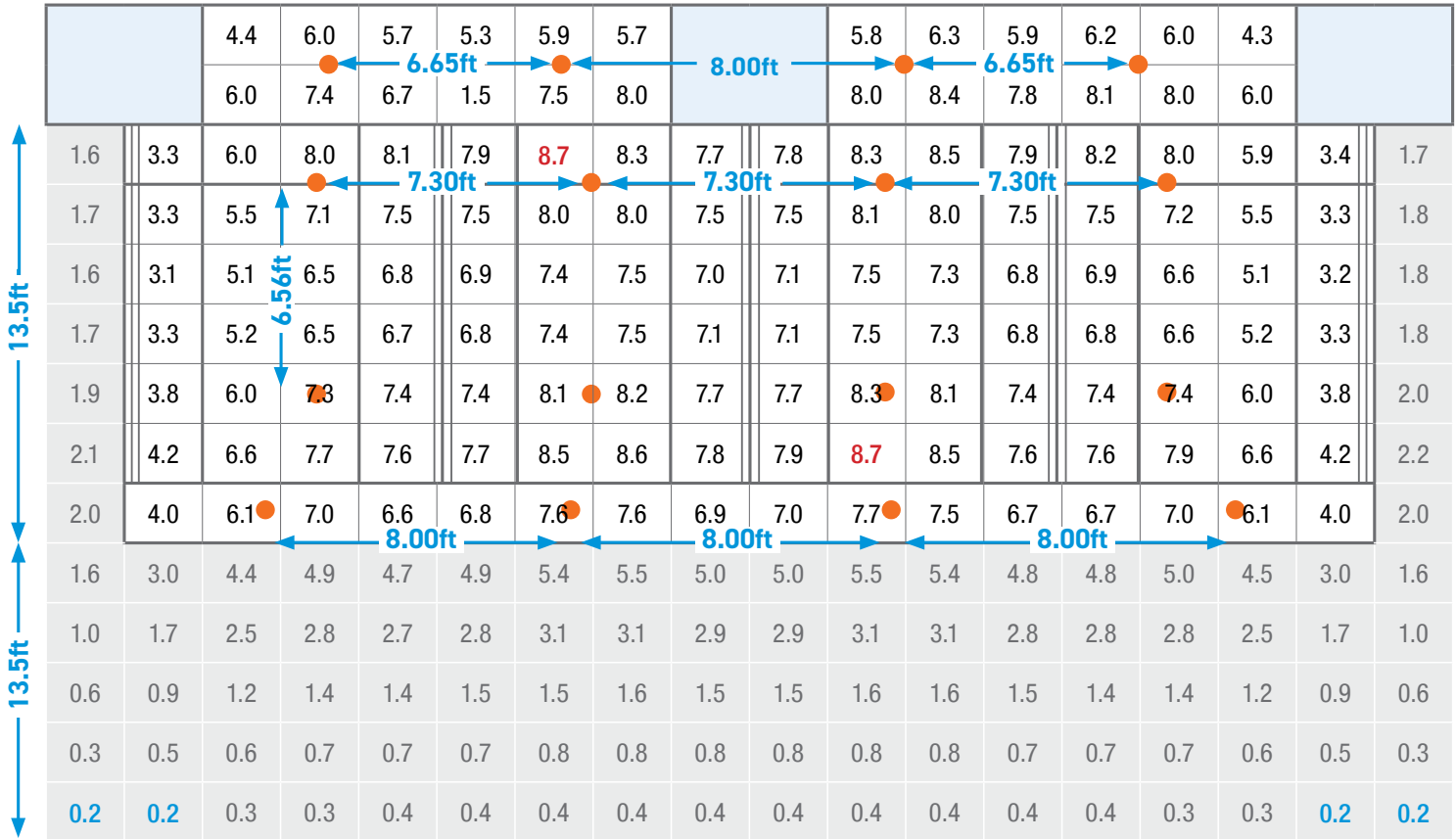
Luminaire Schedule

Symbol	Qty	Label	Arrangement	Luminaire Lumens	LLF	Description	Filename
●	16	A	Single	368	0.900	LPODXL32R50-Dir-FL-W-SymRef-500	LPODXL32R50-Dir-FL-W-SymRef-500mA LPODXL32-0.018m-451826-A.ies

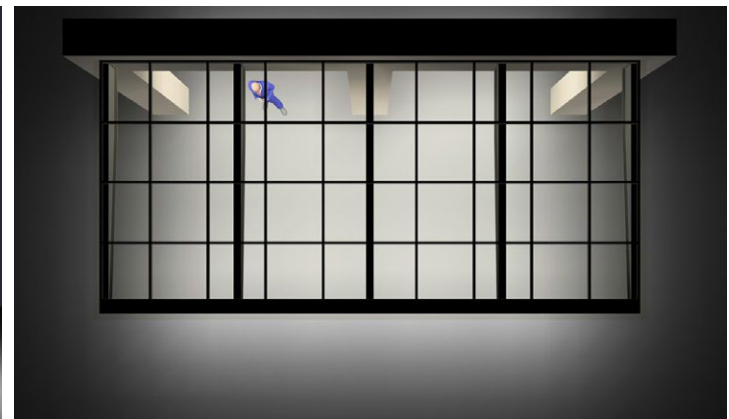
MH = Mounting Height [ft]

Calculation Summary

Label	CalcType	Units	Avg	Max	Min	Avg/Min	Max/Min	Description
CANOPY AREA	Illuminance	Fc	4.60	8.7	0.2	23.00	43.50	readings taken at grade



Front Perspective



Top Perspective

KLIK LEDpod™ XL32R50 Patented FOOTCANDLE CHART

Luminaire Schedule

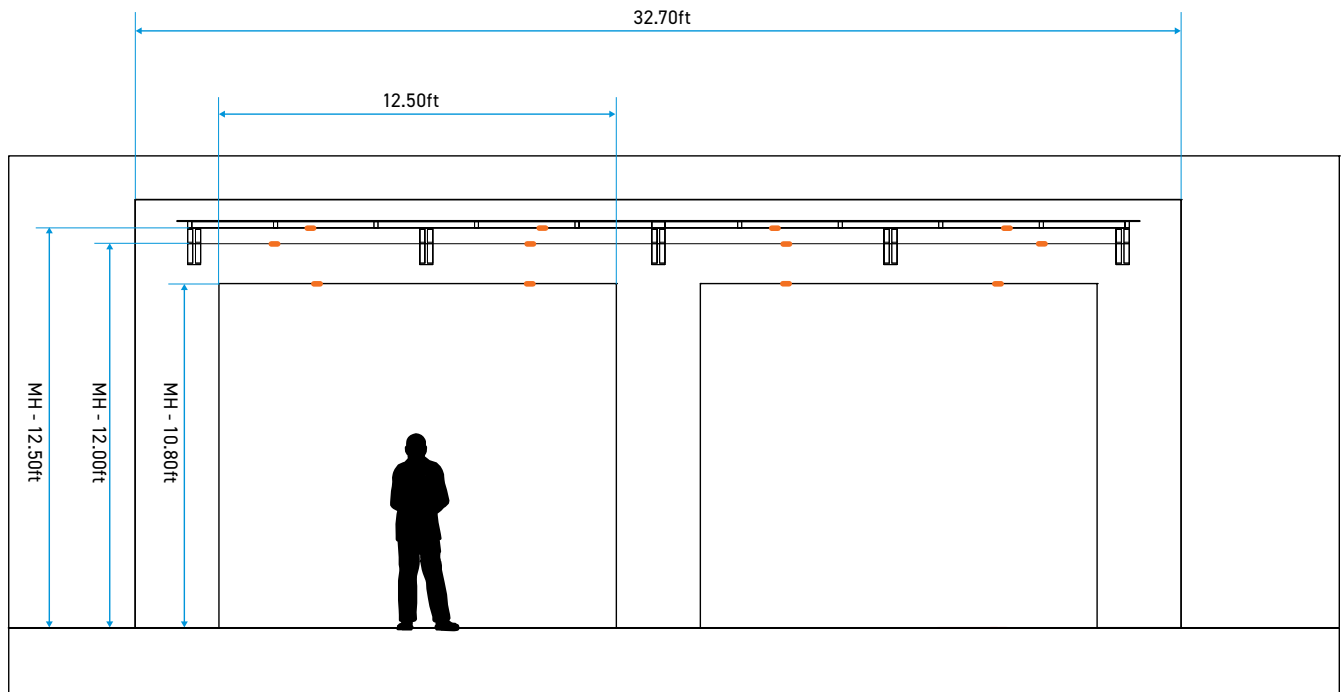
Symbol	Qty	Label	Arrangement	Luminaire Lumens	LLF	Description	Filename
●	16	A	Single	368	0.900	LPODXL32R50-Dir-FL-W-SymRef-500	LPODXL32R50-Dir-FL-W-SymRef-500mA LPODXL32-0.018m-451826-A.ies

MH = Mounting Height [ft]

Calculation Summary

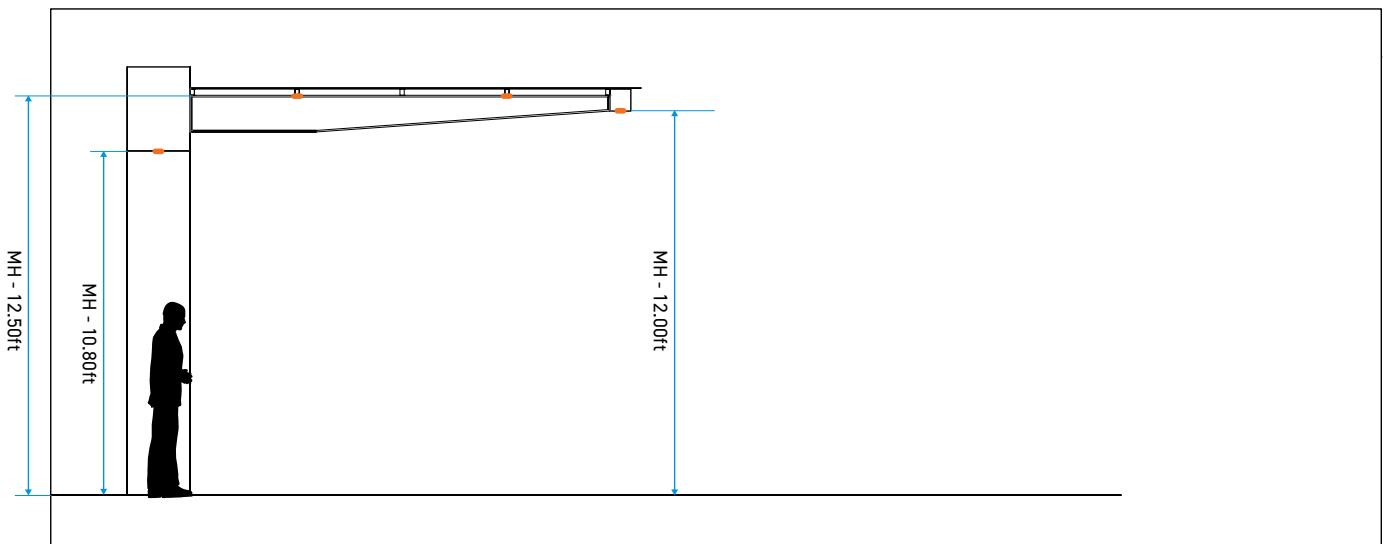
Label	CalcType	Units	Avg	Max	Min	Avg/Min	Max/Min	Description
CANOPY AREA	Illuminance	Fc	4.60	8.7	0.2	23.00	43.50	readings taken at grade

MOUNTING HEIGHT FRONT VIEW



Mounting Height - MH

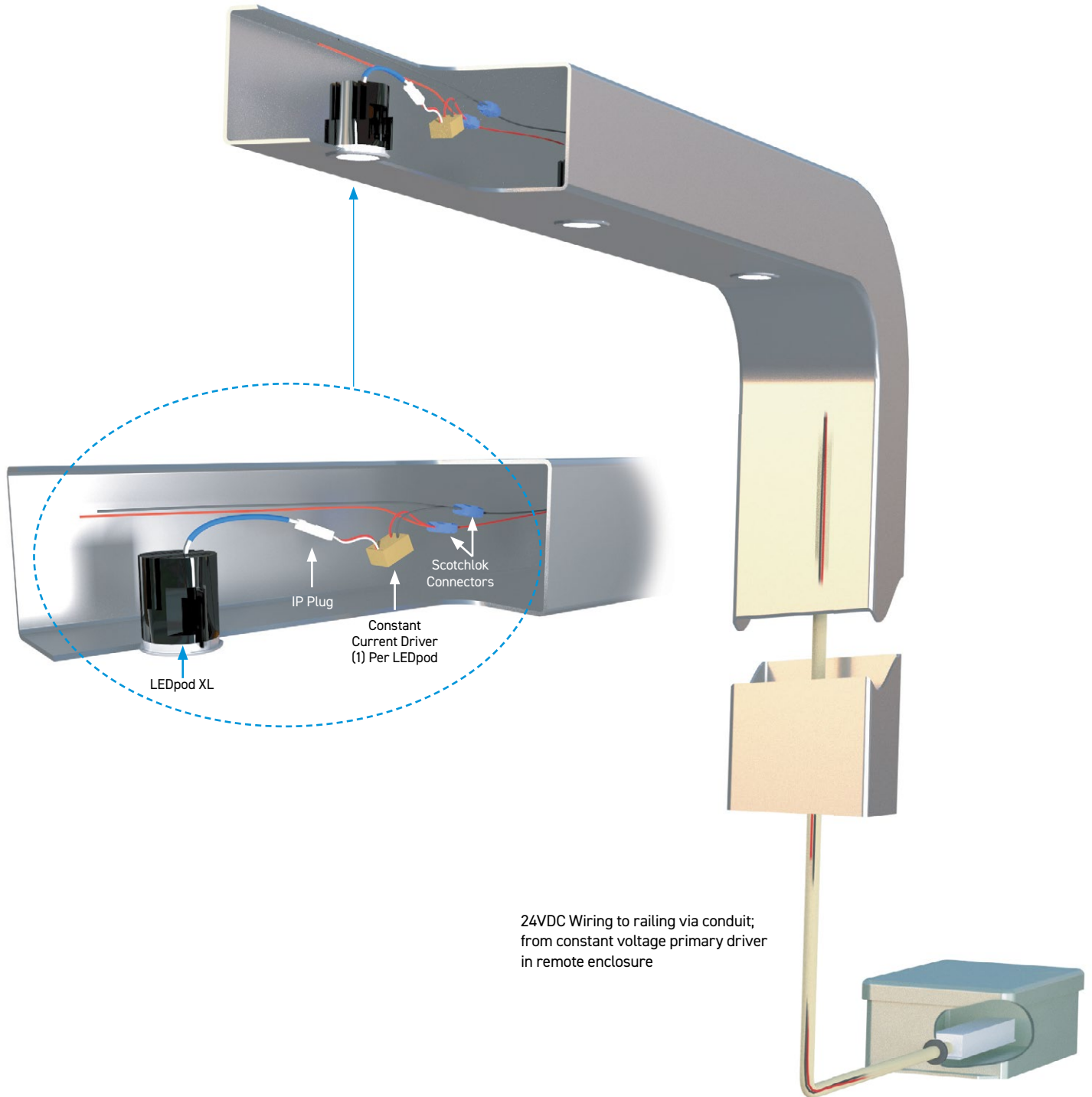
MOUNTING HEIGHT SIDE VIEW



Mounting Height - MH

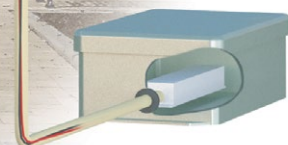
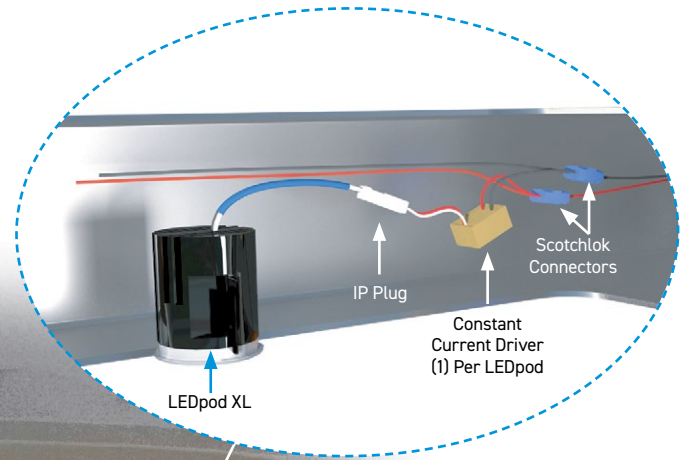
KLIK LEDpod™ XL32R50 Patented

WIRING DIAGRAM Through Metal Structure



KLIK LEDpod™ XL32R50 Patented

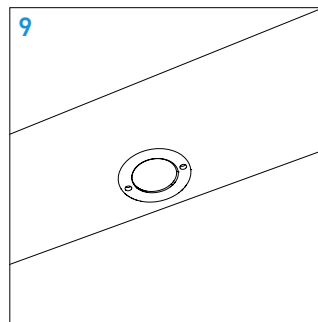
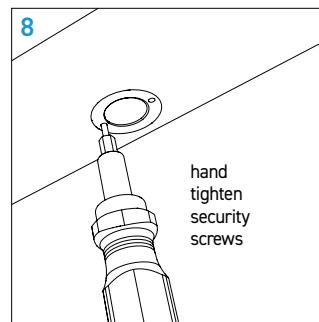
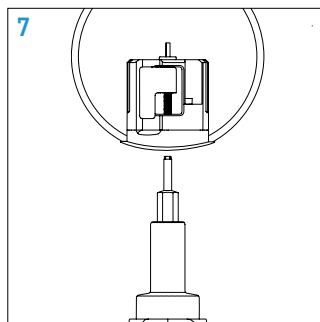
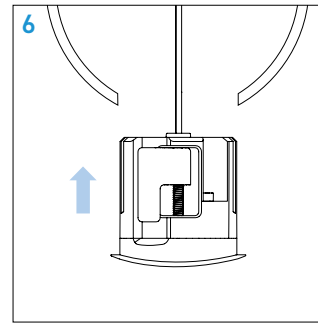
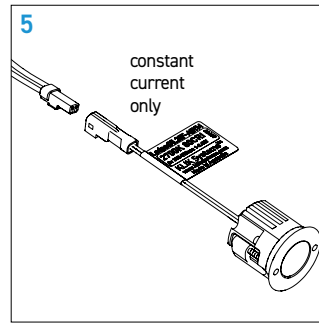
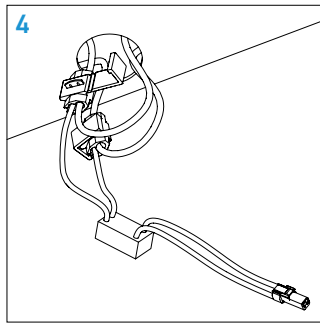
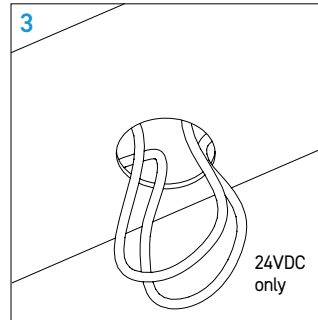
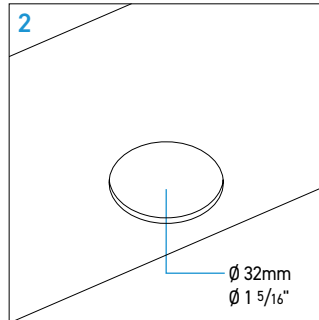
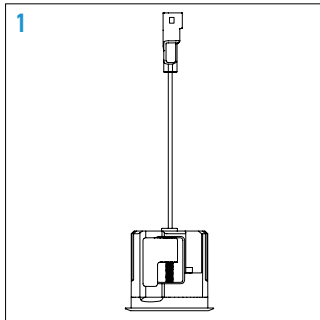
WIRING DIAGRAM Through Building



24VDC Wiring to railing via conduit; from constant voltage primary driver in remote enclosure

KLIK LEDpod™ XL32R50 Patented

INSTALLATION INSTRUCTIONS Additional instructions may apply, consult factory.



WARNING

- Risk of fire or electric shock.
- Disconnect all power before installing or servicing.
- Installation Instruction for qualified electricians only.
- Install per National Electrical Code and local regulations.
- Read Installation Instructions completely before installation.
- Failure to follow Installation Instructions may void warranties.

To reduce risk of electric shock turn off the electrical supply before installing or servicing the light fixtures and driver. Failure to do so may result in serious injury and/or damage to the components.

This product must be installed in accordance with the applicable installation code by a person familiar with the construction and operation of the product and the hazards involved.

The light source contained in this luminaire shall only be replaced by the manufacturer or the service agent or a similar qualified person.