

Project Name: Location:

Specifier: Rep Agency:

Fixture Type: Product Code:

KLIK LEDpod™ XL28FSHR Patented

DESCRIPTION

Discrete, easy to install marker/orientation light for use in vertical applications such as hollow metal structures, guard rails, posts, and dry wall. The shroud above the LED assists in the control of glare while the optics throw light onto the ground.

HOUSING

IP65, IK08, clear anodized aluminum body. Color match anodized as an option to color match the material into which the downlight can be installed. Aluminum housing has a marine grade hard-anodized 25-micron finish, thus preventing galvanic corrosion.

MOUNTING

Unique concealed internal mounting wings hold the fixture in place, the wings are deployed via patent-pending anti-tamper screws through unobtrusive screw holes in the bezel.

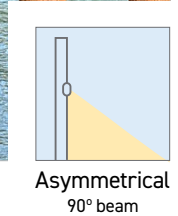
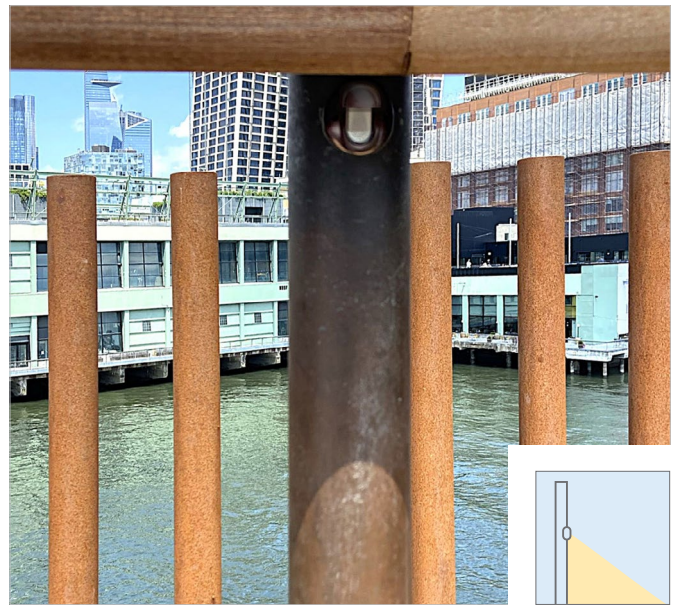
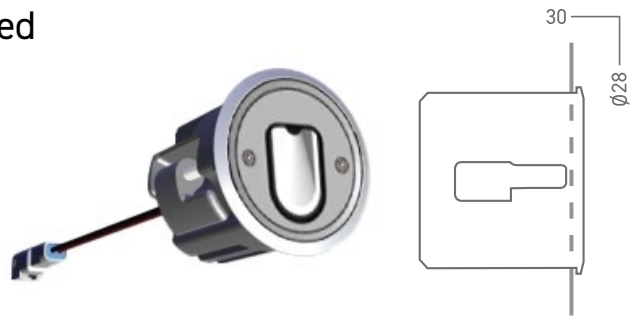
- Minimum internal clearance ~1-3/8", max wall thickness ~1/4"
- Cut Out: \varnothing ~1-1/8"
- Can be customized to suit a thicker wall

ELECTRICAL/LED DRIVER

- Input Voltage: 24 VDC
- Primary Driver: KLIK provided Class II, 110 - 277 VAC UL Listed Constant Voltage
- Secondary Driver: 350 - 700mA Constant Current (provided with fixture)
- Control: 0-10V, DALI, DMX [not individually addressable]
- Enclosures: [see details below]
- Wire connectors provided; factory pre-wire available, consult factory

LISTINGS

- ETL listed, UL 1598/CSA 22.2; CE
- cETL
- IP65 [wet location]
- All IP rated luminaires tested to AS60529-2004 Degrees of protection provided by enclosures (IP Code)
- IK08 or IK10 Impact Resistant
- Class 2 Device
- International Dark Sky Certified [Color temperature must be Amber or <3000K]



ETL listed
UL 1598/CSA 22.2; CE



Weatherproof Rating:
IP65
Wet location rated



LED Operating Temp:
-40°F - 160°F



Impact resistance:
IK08



3G Vibration
per MIL-STD-810G



Wildlife friendly



BABA Compliant
[Add Prefix 'BA-' to fixture code]



International Dark Sky Association Certified Amber \leq 3000K

* All IP rated luminaires tested to AS60529-2004 Degrees of protection provided by enclosures (IP Code)

KLIK LEDpod™ XL28FSHR Patented

SPECIFICATION TABLE

Follow the steps to specify your fixture. Enter Product Code in field at top of page. Example: XL28FSHR30K500AFLDCLR

| Fixture Type | Color Temp [K] | Output [W] | Distribution | Optic | Lens Options | Bezel Color Options ¹ | Custom Wall ¹ | Control |
|-----------------------------------|-----------------------------------|------------------------------|---------------------------|------------------|---|--|---------------------------|--|
| XL28FSHR | 27K 2700K | 350 350mA 1.5W | A Asymmetric [Std] | FLD Flood | CLR Clear lens [Std] FRS Opaque frost OTK Optical filter | - Marine grade anodized [Std] DUL Dulux Colors - Request Guide SPC Standard Powdercoat BRS Antique Brass BLK Black Anodized BZ Bronze ANT Dark Antique GLD Rose Gold | 0.25 For 1/4" Wall | - 0-10V Dim DMX1 DMX 1 Ch DMX4 DMX 4 Ch PH Phase Dim |
| | 30K 3000K | 500 500mA 1.95W [Std] | | | | | | |
| | 35K 3500K | 700 700mA 2.7W | | | | | | |
| | 40K 4000K | | | | | | | |
| | AMB FWC Amber | | | | | | | |
| | PCA Phos-converted Amber | | | | | | | |
| | R Red | | | | | | | |
| | G Green | | | | | | | |
| | B Blue | | | | | | | |
| | RGB3 RGBW 3K ¹² | | | | | | | |
| RGB4 RGBW 4K ¹² | | | | | | | | |

¹Additional charges and lead time apply for this feature ² RGBW limited to 4 channels at 175mA [2.5 Watt TOTAL]

| LED PERFORMANCE | | Outputs based on 3000K | | | ASYMMETRICAL |
|-----------------|-------------------------------------|------------------------|-----|---|------------------|
| LED: | Cree XT-E | W | mA | V | Delivered Lumens |
| CCT: | 2700, 3000, 4000 (others available) | 1.4 | 350 | 3 | 87 |
| CRI: | 80-85 | 1.9 | 500 | 3 | 133 |
| Life: | 80% at 50k hrs and 85°C | 2.7 | 700 | 3 | 175 |
| Binning: | 3 MacAdam Steps | | | | |
| Warranty: | 5 Year Warranty | | | | |

REMOTE MOUNTING DISTANCE CHART

| 24 VDC 100W Driver | Approx. distance from driver to first LED at 32 fixtures | | | |
|--------------------|--|--------|--------|--------|
| Wire Size | 10 AWG | 12 AWG | 14 AWG | 16 AWG |
| Distance | 525' | 328' | 213' | 131' |

Calculations based on 2' centers between pods. Increased spacing reduces number of pods per circuit.

PRIMARY DRIVER

| 110 - 277 Primary Voltage Remotely Mounted Dimming Control 10" x 1.5" x 2" | Secondary LED Driver | Spacing | Maximum KLIK LEDpods™* |
|--|----------------------|---------|------------------------|
| | 700mA | 24" | 30 |
| | 500mA | 24" | 37 |
| | 350mA | 24" | 50 |

*Based on 16 AWG between LEDpods

REMOTE POWER SUPPLIES [PSUs]

| | |
|---------------------|--|
| LP040WPRITRDIMIP | Class 2; 40W; 0-10 Dim Constant Voltage Remote PSU [IP67 (Temp Submersion) Rated; -40°C ~ +85°C] |
| LP096WPRITRDIM | Class 2, 96W, 0-10 Dim Constant Voltage Remote PSU [IP67 (Temp Submersion) Rated; -40°C ~ +80°C] |
| LP100WPRITRDIM | Class 2, 96W, 0-10 Dim Constant Voltage Remote PSU [IP64 (Damp Location) Rated; -25°C ~ +40°C] |
| LPQZ96WUNV24VPH010 | Class 2, 96W, Phase or 0-10 Dim Constant Voltage Remote PSU [IP66 (Wet Location) Rated; -40°C ~ +60°C] |
| LPQZ96WUNV24VDMX1CH | Class 2, 96W, 8-Bit DMX Dim Constant Voltage Remote PSU [IP66 (Wet Location) Rated; -40°C ~ +60°C] |
| LPQZ96WUNV24VDMX4CH | Class 2, 96W, 8-Bit DMX Dim Constant Voltage Remote PSU [IP66 (Wet Location) Rated; -40°C ~ +60°C] |

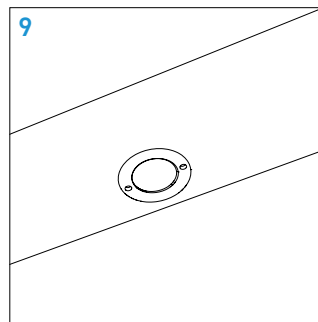
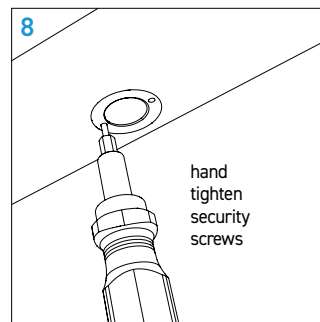
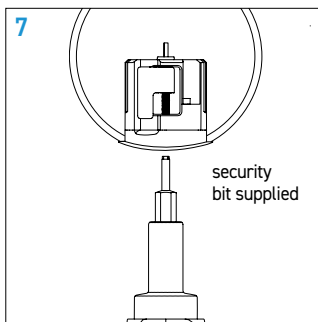
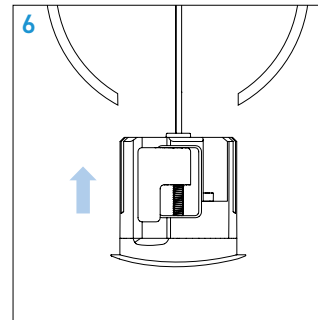
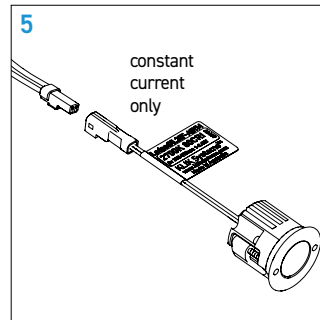
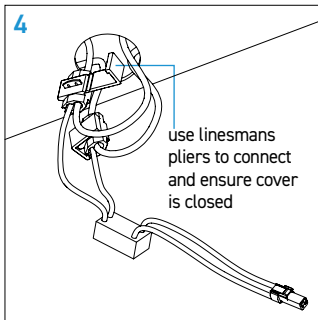
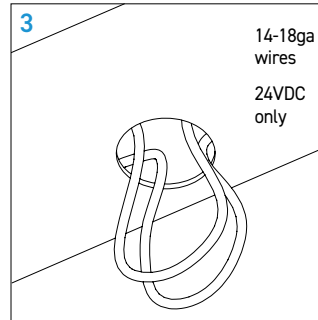
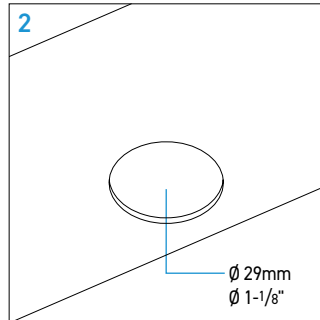
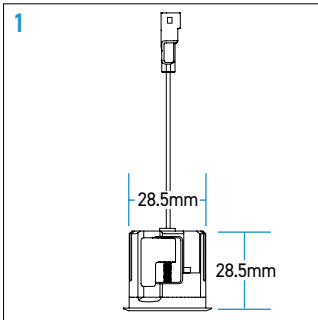
REMOTE NEMA ENCLOSURES

| | |
|------------------|---|
| LPNEMA2RENCLJR | NEMA2 INDOOR enclosure for LP100WPRITRDIM, 12 x 3.3 x 2 |
| LPNEMA3RENCLJR | NEMA3R Drip Proof Enclosure, 4 x 4 x 12 [IP24 Equivalent] |
| LPNEMA3RXENCLSS | NEMA3 304 Lockable Stainless Steel Drip Proof Enclosure 4 x 4 x 12 [IP24 Equivalent] |
| LPNEMA4ENCLJR | NEMA4 Watertight Enclosure, 6 x 4 x 12 [IP66 Equivalent]; NEMA4X |
| LPNEMA4XENCLSSJR | NEMA4 304 Lockable Stainless Steel Watertight Enclosure 6 x 4 x 12 [IP66 Equivalent] NEMA4X |
| LPNEMA6PTRO | NEMA6 Watertight Enclosure Wiring Trough, 2 x 3 x 14 [IP68 Equivalent] |

Additional driver & enclosure configurations available, including IP68 options
Please note the KLIK UL Listing requires purchase of a remote driver and enclosure.

KLIK LEDpod™ XL28FSHR Patented

INSTALLATION INSTRUCTIONS Additional instructions may apply, consult factory.



WARNING

- Risk of fire or electric shock.
- Disconnect all power before installing or servicing.
- Installation Instruction for qualified electricians only.
- Install per National Electrical Code and local regulations.
- Read Installation Instructions completely before installation.
- Failure to follow Installation Instructions may void warranties.

To reduce risk of electric shock turn off the electrical supply before installing or servicing the light fixtures and driver. Failure to do so may result in serious injury and/or damage to the components.

This product must be installed in accordance with the applicable installation code by a person familiar with the construction and operation of the product and the hazards involved.

The light source contained in this luminaire shall only be replaced by the manufacturer or the service agent or a similar qualified person.