

KLIK LEDpod™ XL28F Patented FOOTCANDLE CHART

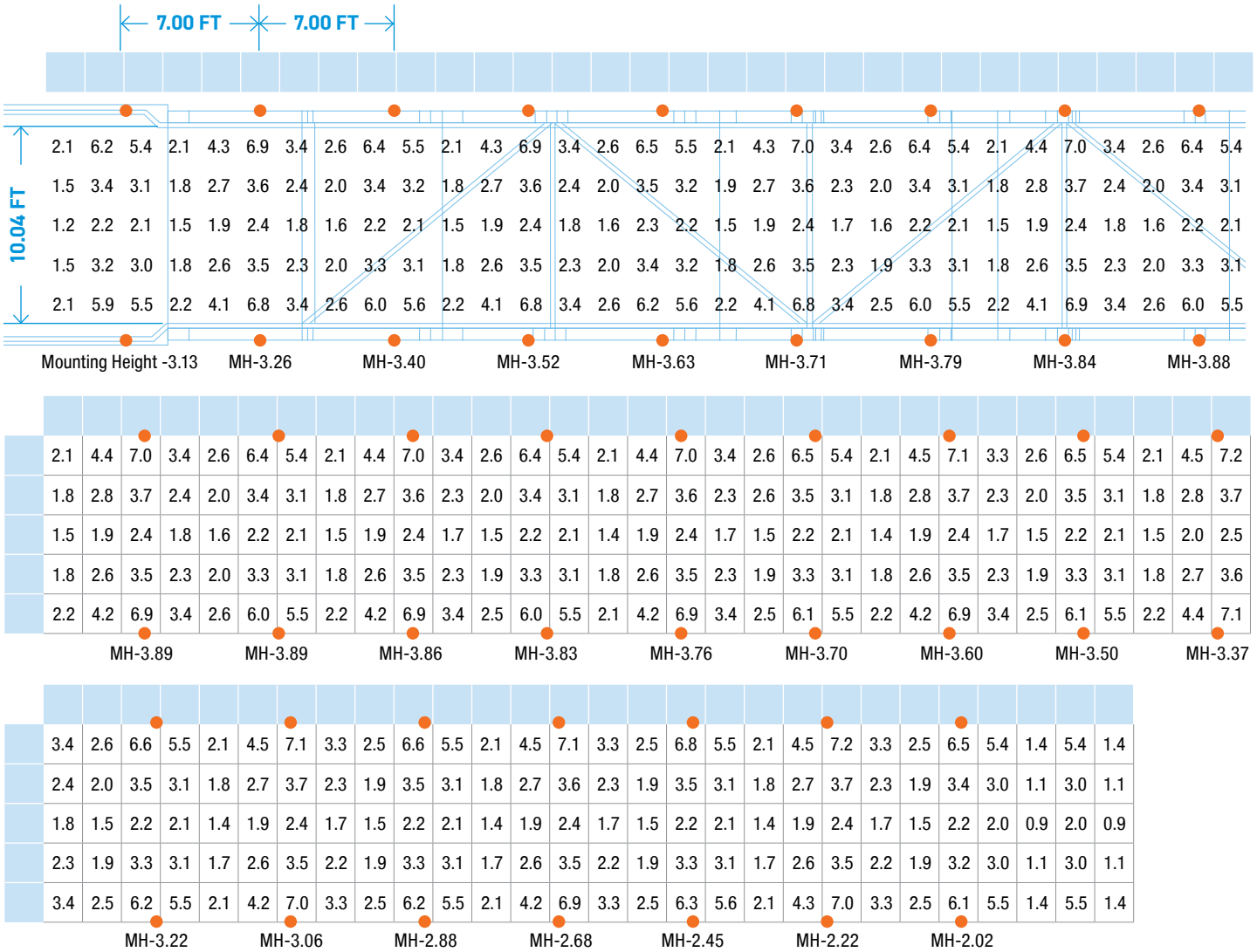
Luminaire Schedule

Symbol	Qty	Label	Arrangement	Luminaire Lumens	LLF	Description	Filename
●	50	A	Single	154	0.900	LPODXL28F-Dir-PCLens-AsymRe	LPODXL28F-Dir-PCLens-AsymRefW-LPOD-500mA-3000K-0.025m-451660-C.ies

MH = Mounting Height [ft]

Calculation Summary

Label	CalcType	Units	Avg	Max	Min	Avg/Min	Max/Min	Description
Bridge	Illuminance	Fc	3.21	7.20	0.90	3.57	8.00	readings taken at grade



KLIK LEDpod™ XL28F Patented FOOTCANDLE CHART

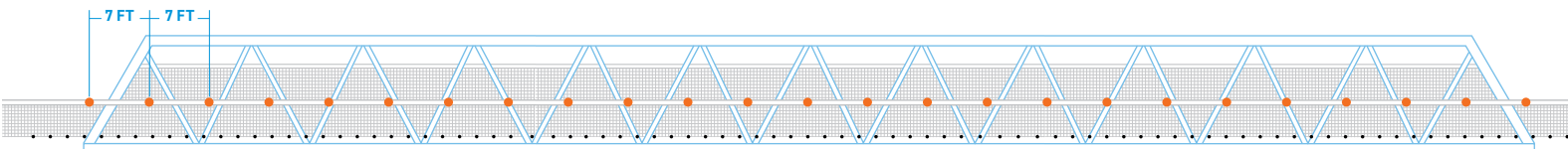
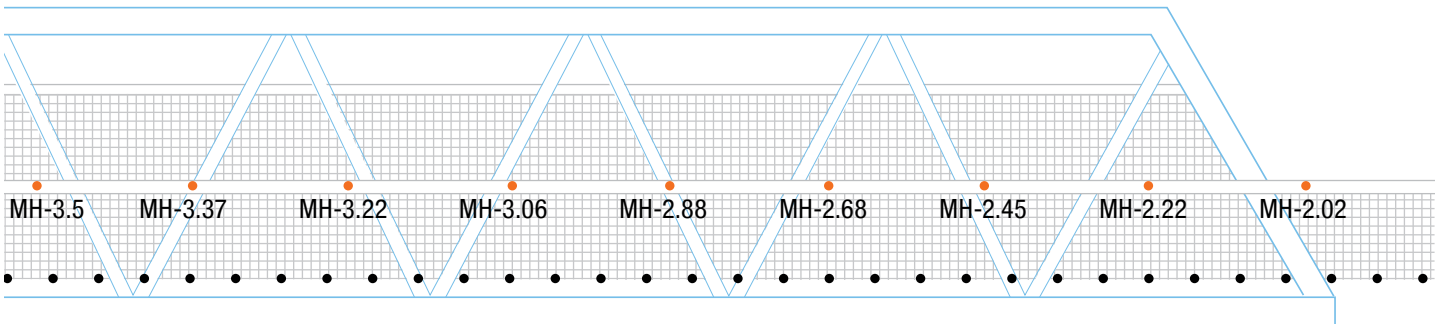
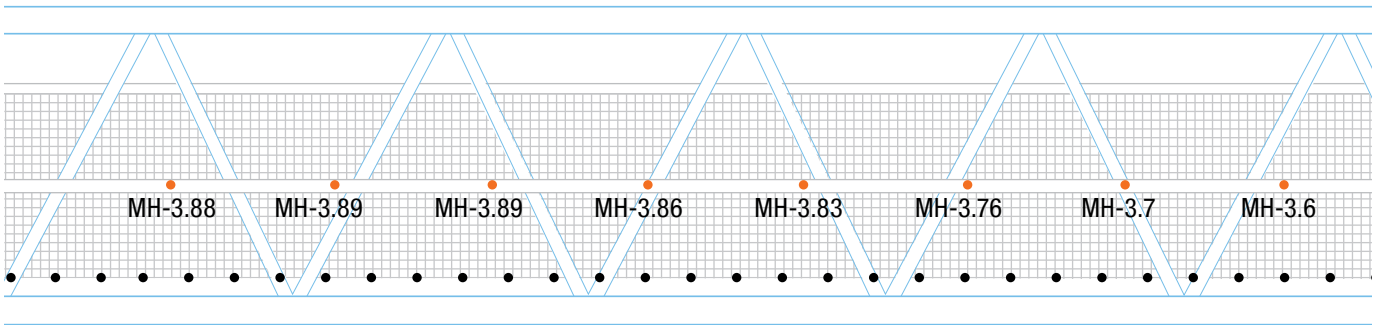
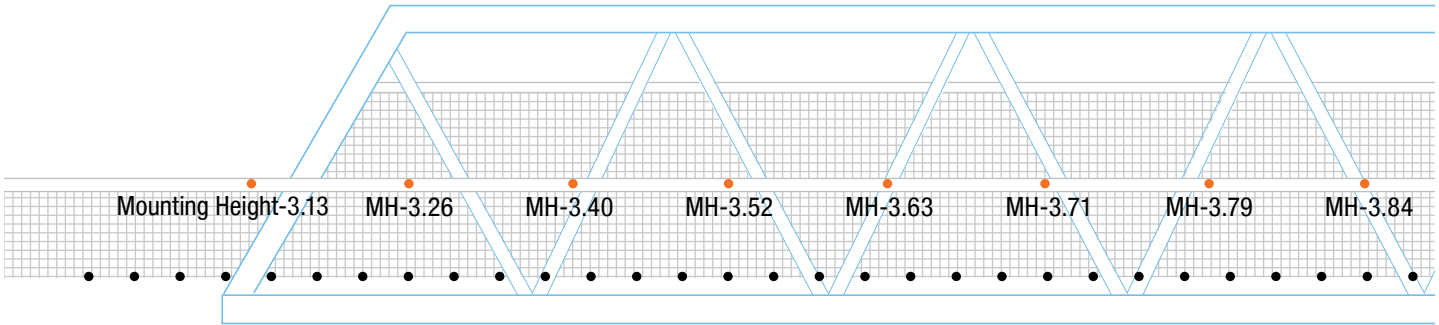
Luminaire Schedule

Symbol	Qty	Label	Arrangement	Luminaire Lumens	LLF	Description	Filename
●	50	A	Single	154	0.900	LPODXL28F-Dir-PCLens-AsymRe	LPODXL28F-Dir-PCLens-AsymRefW-LPOD-500mA-3000K-0.025m-451660-C.ies

MH = Mounting Height [ft]

Calculation Summary

Label	CalcType	Units	Avg	Max	Min	Avg/Min	Max/Min	Description
Bridge	Illuminance	Fc	3.21	7.20	0.90	3.57	8.00	readings taken at grade

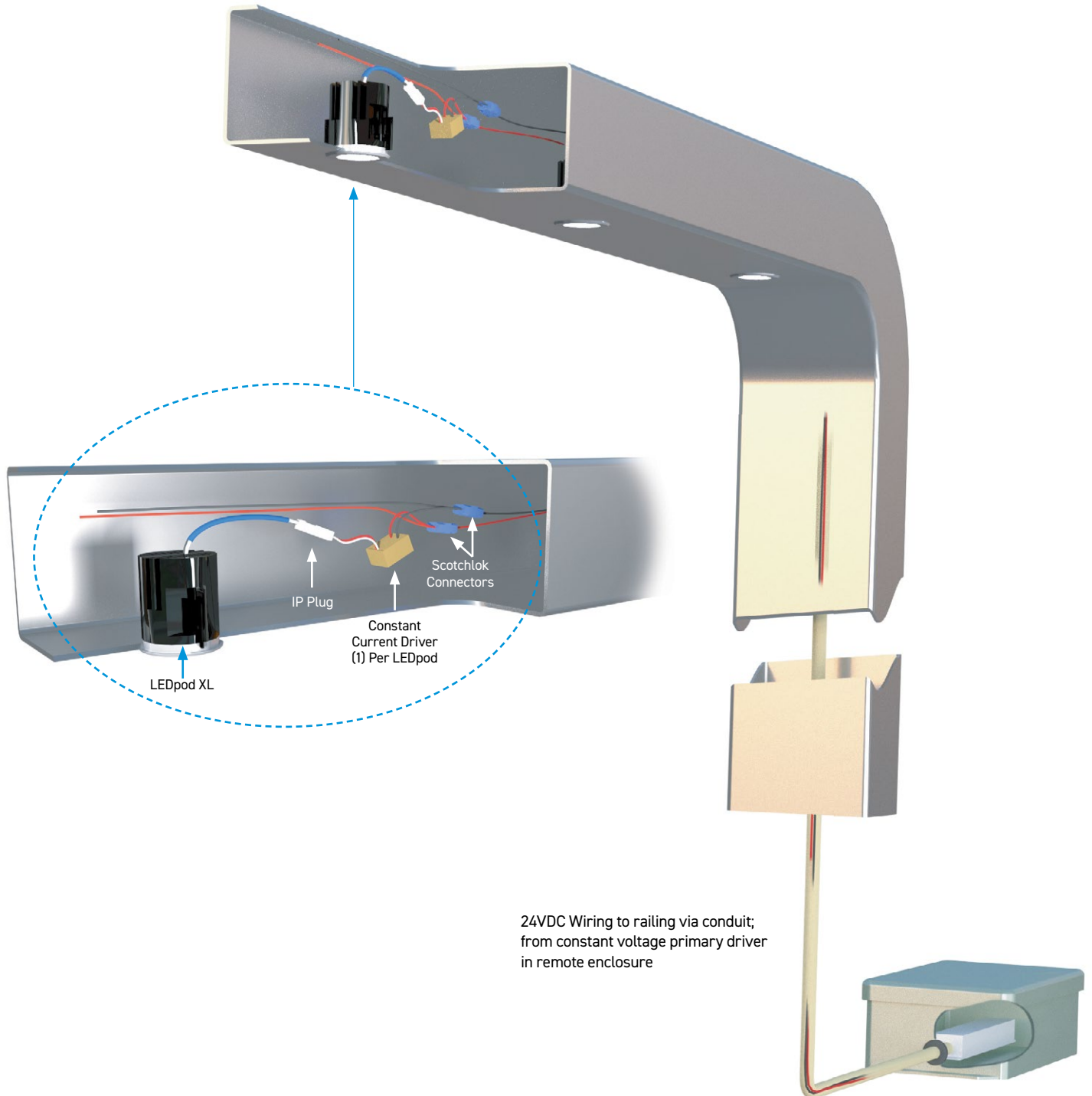


The mounting height varies, please see above [MH-X.XX]

KLIK LEDpod™ XL28F Patented

WIRING DIAGRAM

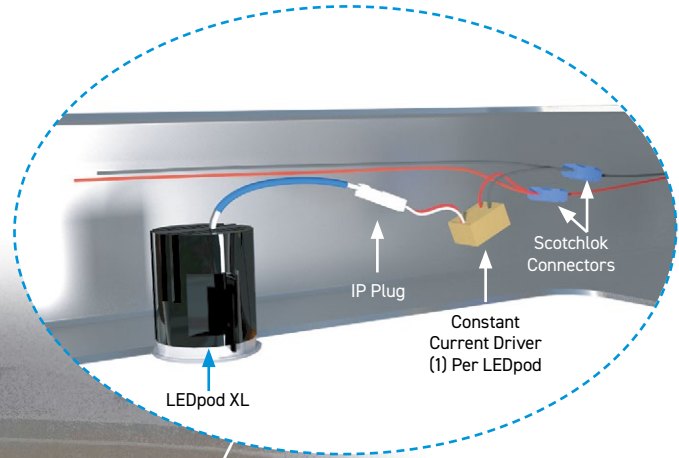
Through Metal Structure



KLIK LEDpod™ XL28F Patented

WIRING DIAGRAM

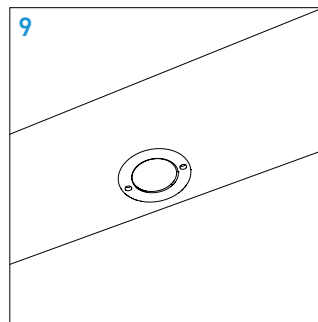
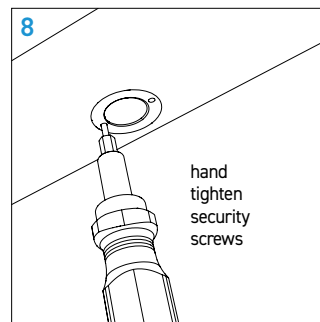
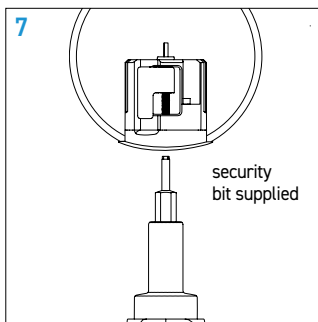
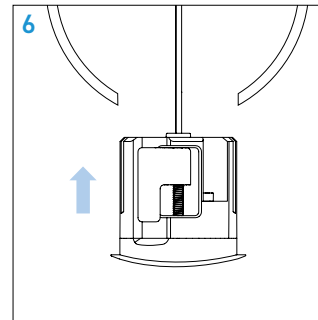
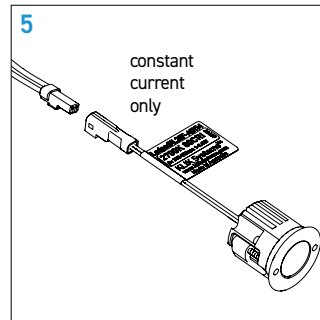
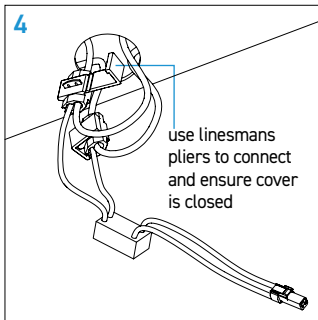
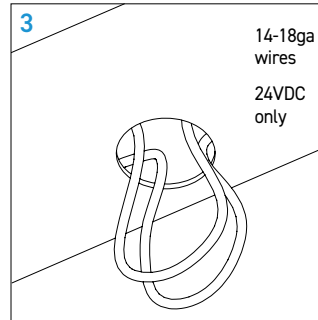
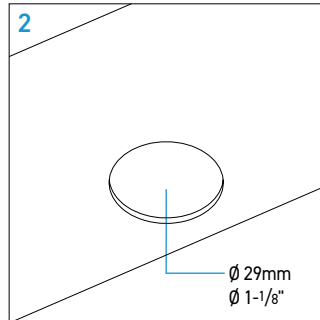
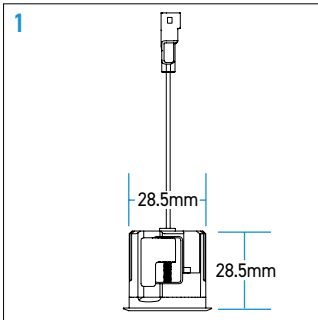
Through Building



24VDC Wiring to railing via conduit; from constant voltage primary driver in remote enclosure

KLIK LEDpod™ XL28F Patented

INSTALLATION INSTRUCTIONS Additional instructions may apply, consult factory.



WARNING

- Risk of fire or electric shock.
- Disconnect all power before installing or servicing.
- Installation Instruction for qualified electricians only.
- Install per National Electrical Code and local regulations.
- Read Installation Instructions completely before installation.
- Failure to follow Installation Instructions may void warranties.

To reduce risk of electric shock turn off the electrical supply before installing or servicing the light fixtures and driver. Failure to do so may result in serious injury and/or damage to the components.

This product must be installed in accordance with the applicable installation code by a person familiar with the construction and operation of the product and the hazards involved.

The light source contained in this luminaire shall only be replaced by the manufacturer or the service agent or a similar qualified person.