

Project Name: Location:

Specifier: Rep Agency:

Fixture Type: Product Code:

KLIK MISTIK™ Cylinder

DESCRIPTION

A sleek, surface-mounted minimalist LED scone that is discreet and easy to install. Suitable for a wide range of exterior and interior surfaces, including railing stanchions, posts, walls, awnings, canopies, and trellises. Offered in both asymmetric and symmetric designs with various lens options available.

HOUSING

The product features an IP65 and IK10 rated brushed 316 stainless steel body, designed with options for either a flat or curved mounting plate, ideal for variety of round posts or surfaces. It is also available in a range of powder-coated colors.

MOUNTING

Brushed 316 stainless steel mounting plate with either a flat or curved mounting surface plate.

- Allow 3/8" in post for power entry
- Can suit the following round post diameter sizes:
Ø1.50" [38mm]
Ø1.66" [42mm]
Ø1.90" [48mm]

ELECTRICAL/LED DRIVER

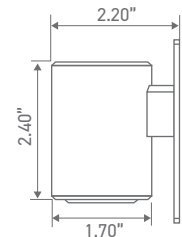
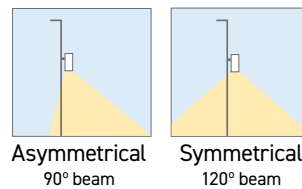
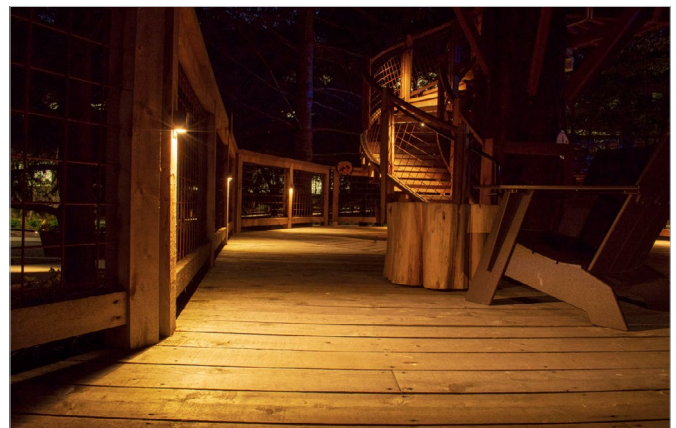
- Input Voltage: 24 VDC
- Primary Driver: KLIK provided Class II, 110 - 277 VAC UL Listed Constant Voltage
- Secondary Driver: 350 - 700mA Constant Current (provided with fixture)
- Control: 0-10V, DMX [not individually addressable]
- Enclosures: [see details below]
- Wire connectors provided; factory pre-wire available, consult factory

LISTINGS

- ETL listed, UL 1598/CSA 22.2; CE
- cETL
- IP65 [wet location]
- All IP rated luminaires tested to AS60529-2004 Degrees of protection provided by enclosures (IP Code)
- IK08 or IK10 Impact Resistant
- Class 2 Device
- International Dark Sky Certified [Color temperature must be Amber or <3000K]



Post Diameter
Ø1.50" [38mm] Ø1.66" [42mm] Ø1.90" [48mm]



ETL listed
UL 1598/CSA 22.2; CE



Weatherproof Rating:
IP65
Wet location rated



Impact resistance:
IK10



Wildlife friendly



International Dark Sky Association Certified Amber ≤ 3000K



LED Operating Temp:
-40°F - 160°F



3G Vibration
per MIL-STD-810G



BABA Compliant
[Add Prefix 'BA-' to fixture code]

* All IP rated luminaires tested to AS60529-2004 Degrees of protection provided by enclosures (IP Code)

KLIK MISTIK™ 023 Cylinder

SPECIFICATION TABLE

Follow the steps to specify your fixture. Enter Product Code in field at top of page. Example: MKRC30KA500FL

Fixture Type	Color Temp [K]	Distribution	Output [W]	Optic	Lens Options	Housing Options	Mounting	Control
MKCY	22K 2200K	A Asymmetric	350 350mA 1.5W	- Flood [Std]	- Clear Lens [Std]	- 316 Brushed Stainless Steel	FL Flat Surface	- 0-10V Dim
	27K 2700K	S Symmetric	500 500mA 1.95W [Std]		FRS Opaque frost	DUL Dulux Colors - Request Guide	P38 1.5" OD Post	DMX1 DMX 1 Ch
	30K 3000K		700 700mA 2.7W		OTK Optical filter	RAL RAL #	P42 1.66" OD Post	DMX4 DMX 4 Ch
	35K 3500K						P48 1.90" OD Post	PH Phase Dim
	40K 4000K							
	AMB FWC Amber							
	PCA Phosphor converted Amber							
	R Red							
	G Green							
	B Blue							

LED PERFORMANCE

LED:	Cree XT-E
CCT:	2700, 3000, 4000 (others available)
CRI:	80-85
Life:	80% at 50k hrs and 85°C
Binning:	3 MacAdam Steps
Warranty:	5 Year Warranty

Outputs based on 3000K

W	mA	V
1.4	350	3
1.9	500	3
2.7	700	3

SYMMETRICAL

ASYMMETRICAL

Delivered Lumens

135	87
197	133
258	175

REMOTE MOUNTING DISTANCE CHART

24 VDC 100W Driver	Approx. distance from driver to first LED at 32 fixtures			
Wire Size	10 AWG	12 AWG	14 AWG	16 AWG
Distance	525'	328'	213'	131'

PRIMARY DRIVER

110 - 277 Primary Voltage Remotely Mounted Dimming Control 10" x 1.5" x 2"	Secondary LED Driver	Spacing	Maximum KLIK LEDpods™*
	700mA	24"	30
	500mA	24"	37
	350mA	24"	50

Calculations based on 2' centers between pods. Increased spacing reduces number of pods per circuit.

*Based on 16 AWG between LEDpods

REMOTE POWER SUPPLIES [PSUs]

LP040WPRITRNDIMIP	Class 2; 40W; 0-10 Dim Constant Voltage Remote PSU [IP67 (Temp Submersion) Rated; -40°C ~ +85°C]
LP096WPRITRNDIM	Class 2, 96W, 0-10 Dim Constant Voltage Remote PSU [IP67 (Temp Submersion) Rated; -40°C ~ +80°C]
LP100WPRITRNDIM	Class 2, 96W, 0-10 Dim Constant Voltage Remote PSU [IP64 (Damp Location) Rated; -25°C ~ +40°C]
LPQZ96WUNV24VPH010	Class 2, 96W, Phase or 0-10 Dim Constant Voltage Remote PSU [IP66 (Wet Location) Rated; -40°C ~ +60°C]
LPQZ96WUNV24VDMX1CH	Class 2, 96W, 8-Bit DMX Dim Constant Voltage Remote PSU [IP66 (Wet Location) Rated; -40°C ~ +60°C]
LPQZ96WUNV24VDMX4CH	Class 2, 96W, 8-Bit DMX Dim Constant Voltage Remote PSU [IP66 (Wet Location) Rated; -40°C ~ +60°C]

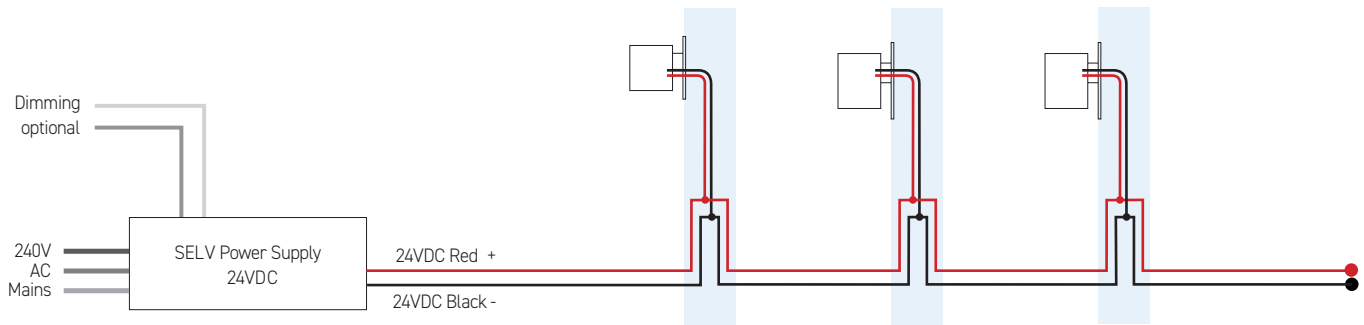
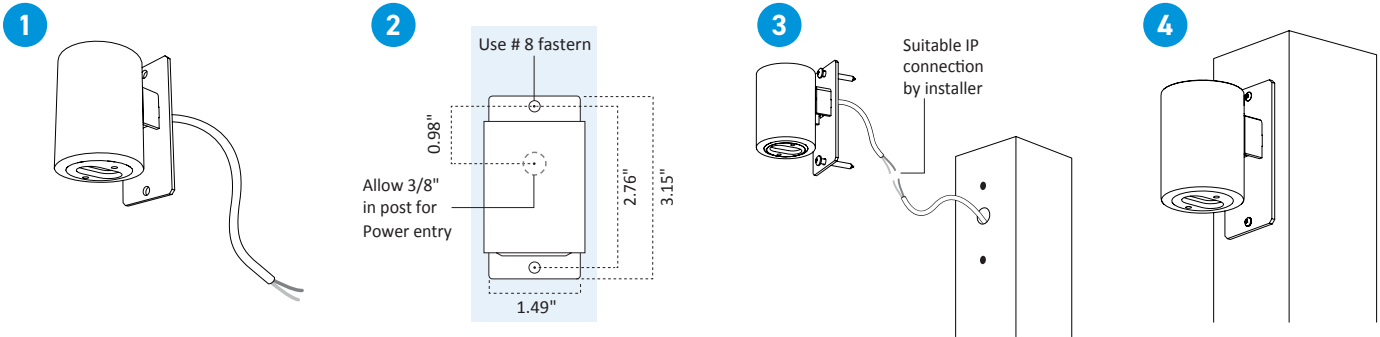
REMOTE NEMA ENCLOSURES

LPNEMA2RENCLJR	NEMA2 INDOOR enclosure for LP100WPRITRNDIM, 12 x 3.3 x 2
LPNEMA3RENCLJR	NEMA3R Drip Proof Enclosure, 4 x 4 x 12 [IP24 Equivalent]
LPNEMA3RXENCLSS	NEMA3 304 Lockable Stainless Steel Drip Proof Enclosure 4 x 4 x 12 [IP24 Equivalent]
LPNEMA4ENCLJR	NEMA4 Watertight Enclosure, 6 x 4 x 12 [IP66 Equivalent]; NEMA4X
LPNEMA4XENCLSSJR	NEMA4 304 Lockable Stainless Steel Watertight Enclosure 6 x 4 x 12 [IP66 Equivalent] NEMA4X
LPNEMA6PTRO	NEMA6 Watertight Enclosure Wiring Trough, 2 x 3 x 14 [IP68 Equivalent]

Additional driver & enclosure configurations available, including IP68 options
 Please note the KLIK UL Listing requires purchase of a remote driver and enclosure.

KLIK MISTIK™ 023 Cylinder

INSTALLATION INSTRUCTIONS Additional instructions may apply, consult factory. Hardware by others.



MISTIK OPTIONS

