

Project Name: _____

Location: _____

Specifier: _____

Rep Agency: _____

Fixture Type: _____

Product Code: _____

KLIK MISTIK™ 023 Rectangle

DESCRIPTION

A sleek, surface-mounted minimalist LED sconce that is discreet and easy to install. Suitable for a wide range of exterior and interior surfaces, including railing stanchions, posts, walls, awnings, canopies, and trellises. Offered in both asymmetric and symmetric designs with various lens options available.

HOUSING

The product features an IP65 and IK10 rated brushed 316 stainless steel body, designed with options for either a flat or curved mounting plate, ideal for variety of round posts or surfaces. It is also available in a range of powder-coated colors.

MOUNTING

Brushed 316 stainless steel mounting plate with either a flat or curved mounting surface plate.

- Allow 3/8" in post for power entry
- Can suit the following round post diameter sizes:
Ø1.50" [38mm]
Ø1.66" [42mm]
Ø1.90" [48mm]

ELECTRICAL/LED DRIVER

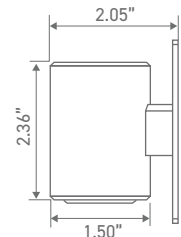
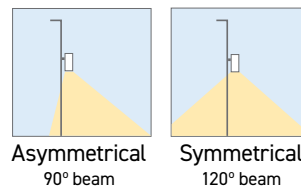
- Input Voltage: 24 VDC
- Primary Driver: KLIK provided Class II, 110 - 277 VAC UL Listed Constant Voltage
- Secondary Driver: 350 - 700mA Constant Current (provided with fixture)
- Control: 0-10V, DMX [not individually addressable]
- Enclosures: [see details below]
- Wire connectors provided; factory pre-wire available, consult factory

LISTINGS

- ETL listed, UL 1598/CSA 22.2; CE
- cETL
- IP65 [wet location]
- All IP rated luminaires tested to AS60529-2004 Degrees of protection provided by enclosures (IP Code)
- IK08 or IK10 Impact Resistant
- Class 2 Device
- International Dark Sky Certified [Color temperature must be Amber or <3000K]



Post Diameter
Ø1.50" [38mm] Ø1.66" [42mm] Ø1.90" [48mm]



ETL listed
UL 1598/CSA 22.2; CE



Weatherproof Rating:
IP65
Wet location rated



Impact resistance:
IK10



Wildlife friendly



International Dark Sky Association Certified Amber ≤ 3000K



LED Operating Temp:
-40°F - 160°F



3G Vibration
per MIL-STD-810G



BABA Compliant
[Add Prefix 'BA-' to fixture code]

* All IP rated luminaires tested to AS60529-2004 Degrees of protection provided by enclosures (IP Code)

KLIK MISTIK™ 023 Rectangle

SPECIFICATION TABLE

Follow the steps to specify your fixture. Enter Product Code in field at top of page. Example: MKCY30KA500FL

| Fixture Type | Color Temp [K] | Distribution | Output [W] | Optic | Lens Options | Housing Options | Mounting | Control |
|--------------|------------------------------|--------------|-----------------------|---------------|--------------------|----------------------------------|-------------------|---------------|
| MKRC | 22K 2200K | A Asymmetric | 350 350mA 1.5W | - Flood [Std] | - Clear Lens [Std] | - 316 Brushed Stainless Steel | FL Flat Surface | - 0-10V Dim |
| | 27K 2700K | S Symmetric | 500 500mA 1.95W [Std] | | FRS Opaque frost | DUL Dulux Colors - Request Guide | P38 1.5" OD Post | DMX1 DMX 1 Ch |
| | 30K 3000K | | 700 700mA 2.7W | | OTK Optical filter | RAL RAL # | P42 1.66" OD Post | DMX4 DMX 4 Ch |
| | 35K 3500K | | | | | | P48 1.90" OD Post | PH Phase Dim |
| | 40K 4000K | | | | | | | |
| | AMB FWC Amber | | | | | | | |
| | PCA Phosphor converted Amber | | | | | | | |
| | R Red | | | | | | | |
| | G Green | | | | | | | |
| | B Blue | | | | | | | |

LED PERFORMANCE

| | |
|-----------|-------------------------------------|
| LED: | Cree XT-E |
| CCT: | 2700, 3000, 4000 (others available) |
| CRI: | 80-85 |
| Life: | 80% at 50k hrs and 85°C |
| Binning: | 3 MacAdam Steps |
| Warranty: | 5 Year Warranty |

Outputs based on 3000K

| W | mA | V |
|-----|-----|---|
| 1.4 | 350 | 3 |
| 1.9 | 500 | 3 |
| 2.7 | 700 | 3 |

SYMMETRICAL

ASYMMETRICAL

Delivered Lumens

| | |
|-----|-----|
| 135 | 87 |
| 197 | 133 |
| 258 | 175 |

REMOTE MOUNTING DISTANCE CHART

| 24 VDC 100W Driver | Approx. distance from driver to first LED at 32 fixtures | | | |
|--------------------|--|--------|--------|--------|
| Wire Size | 10 AWG | 12 AWG | 14 AWG | 16 AWG |
| Distance | 525' | 328' | 213' | 131' |

PRIMARY DRIVER

| 110 - 277 Primary Voltage Remotely Mounted Dimming Control 10" x 1.5" x 2" | Secondary LED Driver | Spacing | Maximum KLIK LEDpods™* |
|--|----------------------|---------|------------------------|
| | 700mA | 24" | 30 |
| | 500mA | 24" | 37 |
| | 350mA | 24" | 50 |

Calculations based on 2' centers between pods. Increased spacing reduces number of pods per circuit.

*Based on 16 AWG between LEDpods

REMOTE POWER SUPPLIES [PSUs]

| | |
|---------------------|--|
| LP040WPRITRNDIMIP | Class 2; 40W; 0-10 Dim Constant Voltage Remote PSU [IP67 (Temp Submersion) Rated; -40°C ~ +85°C] |
| LP096WPRITRNDIM | Class 2, 96W, 0-10 Dim Constant Voltage Remote PSU [IP67 (Temp Submersion) Rated; -40°C ~ +80°C] |
| LP100WPRITRNDIM | Class 2, 96W, 0-10 Dim Constant Voltage Remote PSU [IP64 (Damp Location) Rated; -25°C ~ +40°C] |
| LPQZ96WUNV24VPH010 | Class 2, 96W, Phase or 0-10 Dim Constant Voltage Remote PSU [IP66 (Wet Location) Rated; -40°C ~ +60°C] |
| LPQZ96WUNV24VDMX1CH | Class 2, 96W, 8-Bit DMX Dim Constant Voltage Remote PSU [IP66 (Wet Location) Rated; -40°C ~ +60°C] |
| LPQZ96WUNV24VDMX4CH | Class 2, 96W, 8-Bit DMX Dim Constant Voltage Remote PSU [IP66 (Wet Location) Rated; -40°C ~ +60°C] |

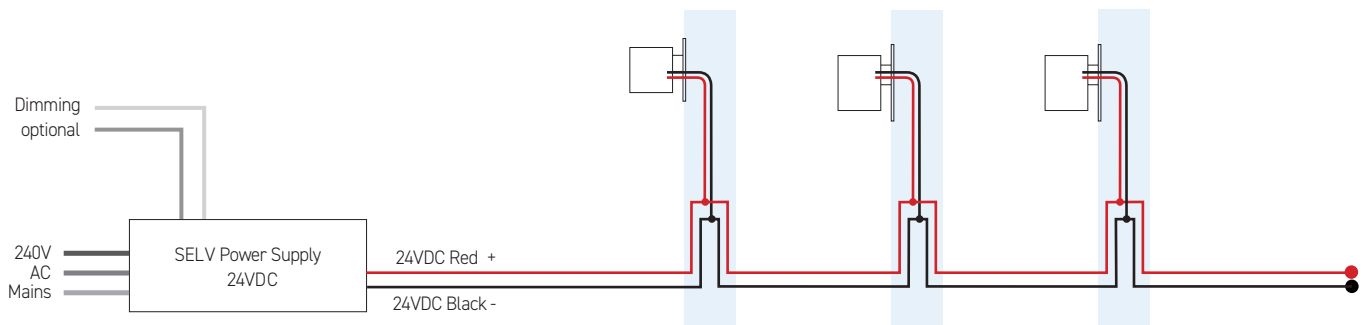
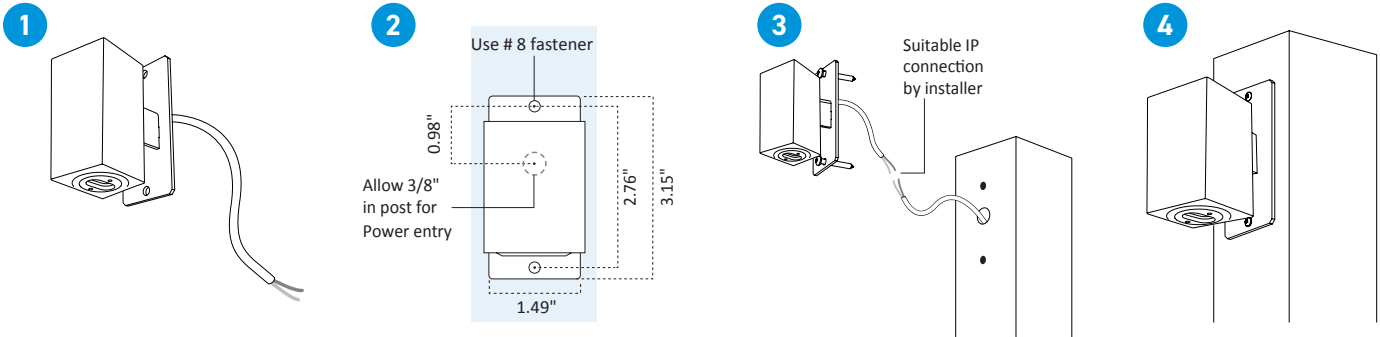
REMOTE NEMA ENCLOSURES

| | |
|------------------|---|
| LPNEMA2RENCLJR | NEMA2 INDOOR enclosure for LP100WPRITRNDIM, 12 x 3.3 x 2 |
| LPNEMA3RENCLJR | NEMA3R Drip Proof Enclosure, 4 x 4 x 12 [IP24 Equivalent] |
| LPNEMA3RXENCLSS | NEMA3 304 Lockable Stainless Steel Drip Proof Enclosure 4 x 4 x 12 [IP24 Equivalent] |
| LPNEMA4ENCLJR | NEMA4 Watertight Enclosure, 6 x 4 x 12 [IP66 Equivalent]; NEMA4X |
| LPNEMA4XENCLSSJR | NEMA4 304 Lockable Stainless Steel Watertight Enclosure 6 x 4 x 12 [IP66 Equivalent] NEMA4X |
| LPNEMA6PTRO | NEMA6 Watertight Enclosure Wiring Trough, 2 x 3 x 14 [IP68 Equivalent] |

 Additional driver & enclosure configurations available, including IP68 options
 Please note the KLIK UL Listing requires purchase of a remote driver and enclosure.

KLIK MISTIK™ 023 Rectangle

INSTALLATION INSTRUCTIONS Additional instructions may apply, consult factory. Hardware by others.



MISTIK OPTIONS

