

AKWAVG FLEX-02
WALL GRAZER

User Manual

Version:24V1

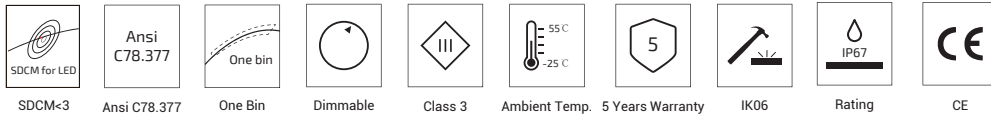


Contents

1) Introduction.....	1
2) Installation Guide.....	2
3) Fixed Bracket Installation Guide.....	3
4) Angle Adjustable Bracket Installation Guide.....	4
5) Electrical Connections.....	5
6) Connection Diagram.....	7

Flexible LED Wall Grazer

This product is designed to provide high quality illumination for columns and curved architectural surfaces. With a variety of lens options, it can be used for flood lighting, wall grazing, wall washing and accent lighting. Equipping with 18 pcs rotatable and waterproof high-power module, it is flexible in horizontal way. With 24VDC input, one constant voltage power supply can load 4 meters in continuous length without brightness degradation from start to end.



Product Features

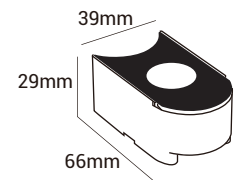
- I. Flexible structure with continuous illumination without any shadows or dark areas.
- II. DC24V Input, extend or combine length freely.
- III. Multiple lens options.
- IV. IP67, suitable for wet locations and has a protection rating of IK06.

Product Application

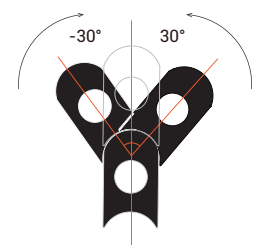
Application areas: wall grazing, cove lights, wall wash, residential, hospitals, restaurants, museums.

Dimension

L66 x W39 x H29mm



Bending



Cover Styles



A
Standard



B
Honeycomb

Different Series



Mono Color



RGBW



Pixel RGBW

Optional LENS Distribution



15°

24°

30°

40°

60°

10°x15°

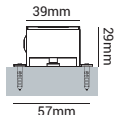
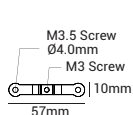
15°x30°

15°x45°

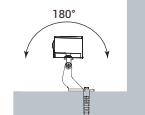
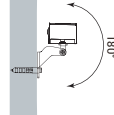
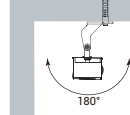
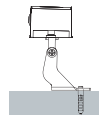
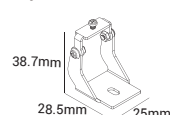
15°x60°

Mounting Optionals

Fixed Bracket



Adjustable Bracket



This product left the place of manufacture in perfect condition. In order to maintain this condition and for safe operation, the user must always follow the instructions and safety warnings described in this user manual.

Safety Warning!

General

- This product must be installed by a qualified and competent professional.
- Do not install the product underwater.
- Always disconnect the power supply before attempting to maintain the equipment.
- Always operate the equipment as described in this user manual.
- Do not stand close to the equipment and stare directly into the LED light source. Looking directly at the light source for a long time can lead to eye damage or even blindness
- When transferring the product, it is advisable to use the original packaging in which the product left the factory.
- Flexible LED grazer should be changed if it has become damaged.
- The power supply (PSU), Touching dimming pannel and LED drivers should be changed if they fail to operate.

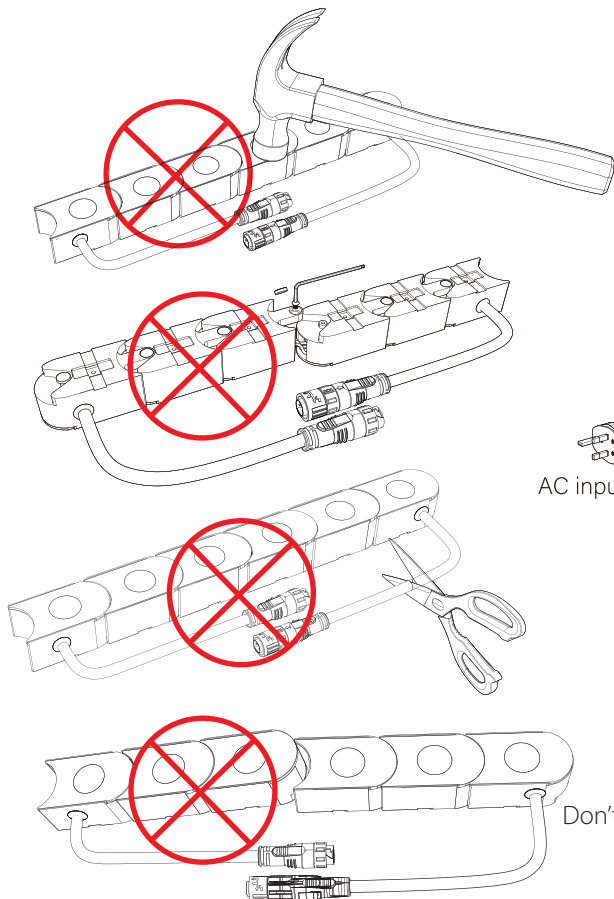
Installation

- Always ensure the supportable structure is a flat and solid surface and can support the weight of the product and any additional wind or shear force.
- The supporting structure must be capable for the installation of luminaires, and advice must be taken from an appropriately qualified and competent person to verify proposed mounting positions and surfaces.
- Always make sure that the equipment is installed securely and ensure all safety anchors are installed.
- Local electrical and building regulations must be followed. If in doubt, please contact support distributor.
- Avoid shaking or strong impacts to any part of the equipment.
- Always make sure that the power and data connections are connected correctly and securely. If there' s any malfunctions of the equipment, contact your local distributor immediately.
- This fixture should not be buried.
- Flexible LED grazer can't be dismantled separately.

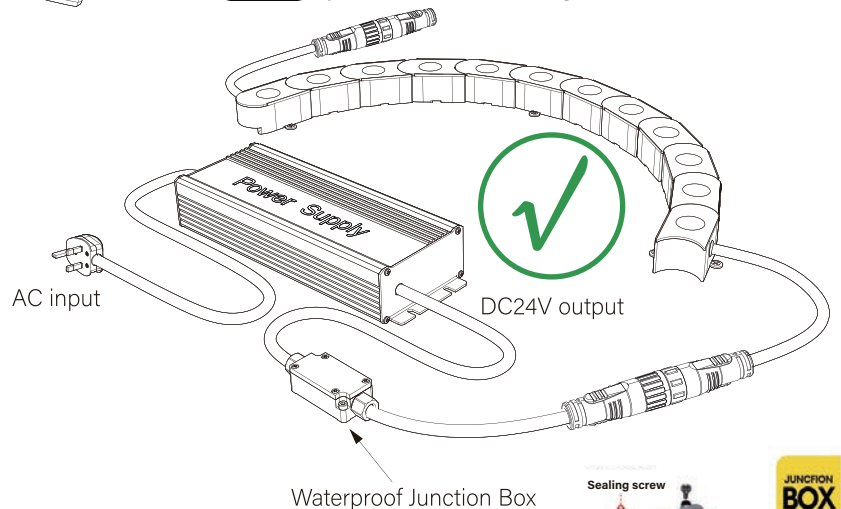
This user manual is intended to cover as much detail as possible for this product, and great care has been taken to ensure this and the accuracy of the information contained within, however should additional information or clarification be required that are not covered within this manual or associated data sheets, or if there are any uncertainties regarding the installation and operation of this product, Distributor MUST be contacted before any work is carried out on the fixture or associated products.

Specific Installation

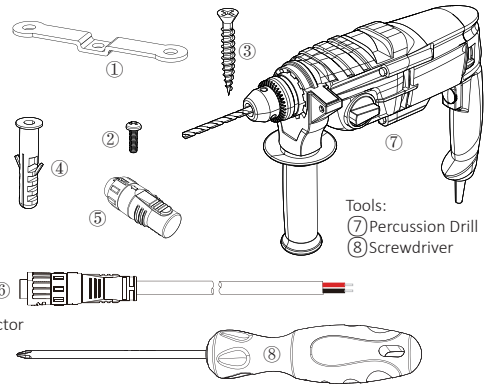
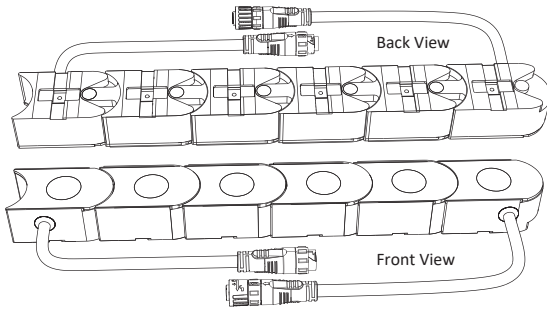
- Although this product does not generate a great amount of heat, it is recommended that you do not cover or conceal it.
- Do not route the product through walls, doors, windows, or building structures.
- Do not roll out the product onto rough surfaces or over sharp corners, and this damage the finish of the product.
- Do not use the product if:
 - There are loose electrical connections
 - The wires are visible without insulation.
- Do not operate the product over the specified voltage or LED life degradation will be greatly increased.
- Do not leave any parts of the product unsecured.
- Do not reverse polarity when connecting from both ends. This will damage the internal PCB. Always test connections with a multi-meter before applying power.
- Do not energise the product whilst in packaging.
- The product can't be dismantled separately in one unit.
- Do not install in pools or underwater.
- During installation, violent pulling and bending are prohibited.
- Must always be used with an electrical isolation transformer providing SELV (safety extra low voltage).
- Do not cut off the cable wire of connector. Even the male or female Connector.
- Mount the cable junction in hermetic enclosure.
- Different custom length is connected through female and male connector.
- Don't break the product off when you installed. And it can't be bent vertically.



The light source and other electronic components contained in this luminaire shall only be replaced by your distributor service agent.



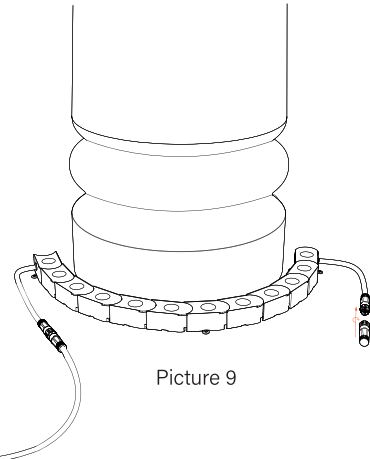
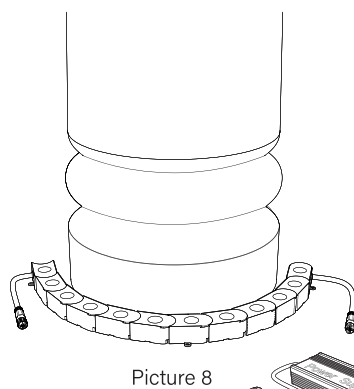
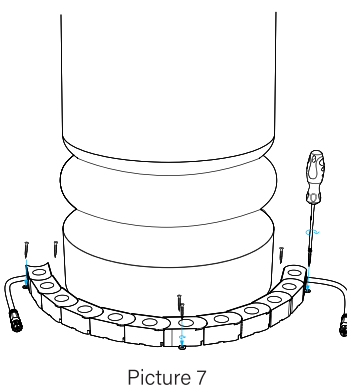
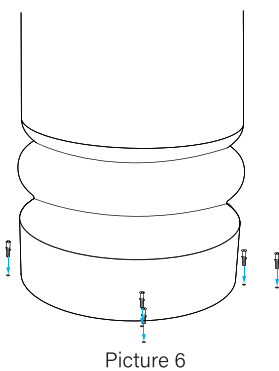
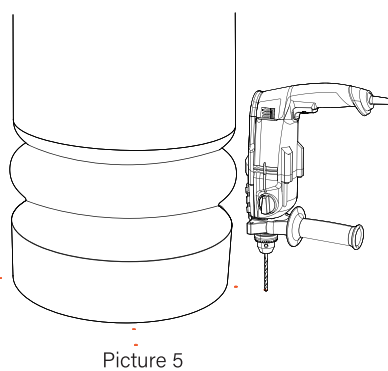
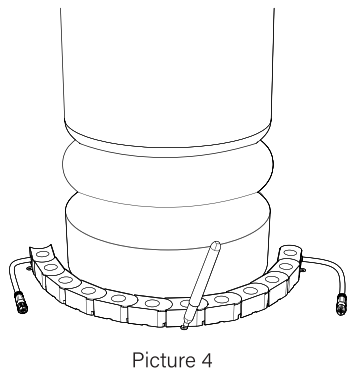
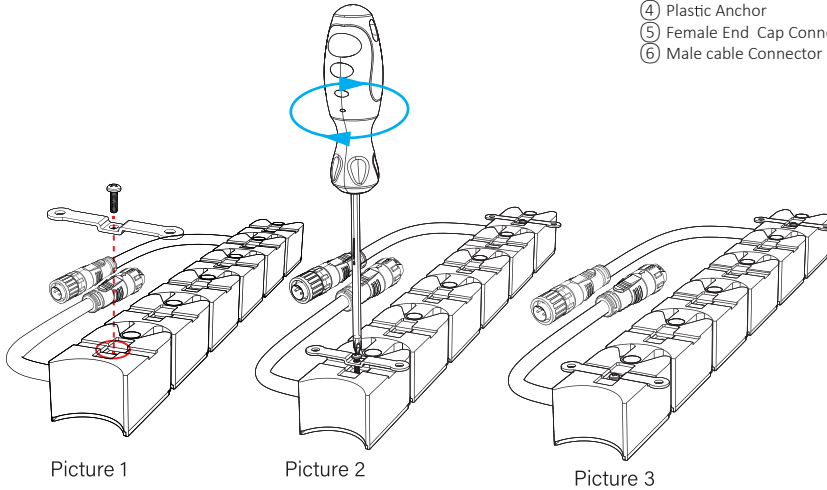
Fixed Bracket Installation Guide



- Accessories:
- ① Fixed Bracket
 - ② Round Head Screw
 - ③ Screws
 - ④ Plastic Anchor
 - ⑤ Female End Cap Connector
 - ⑥ Male cable Connector

Fixed Bracket installation instructions:

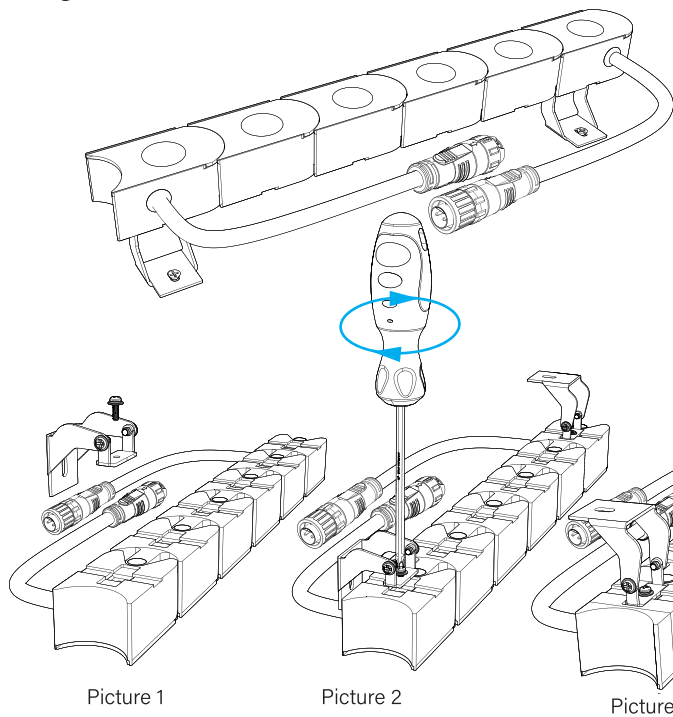
1. Use a screwdriver to screw the fixed bracket up on the bottom of flexible LED grazer, as shown in picture 1.
2. Screws tighten in a clockwise direction, screw off round head screw to loosen in a counterclockwise direction. One at the beginning and the other at the end of the 333 mm [~1ft] product length is sufficient, as shown in picture 2.
3. Fixed brackets have been already screwed up tight on the bottom of flexible led grazer, as shown in picture 3.
4. Continued below.



Flexible LED wall grazer installation instructions:

4. After fixed bracket has been installed, bent the product in a semi-circular shape. Installed in a Roman column environment, we need to mark the screw positions on the ground with a markpen, as shown in picture 4.
5. When all the position of screws have been marked on the ground, then use the percussion drill to drill the holes on the flat ground, as shown in the picture 5.
6. When all the holes have been drilled, plastic anchor needs to be inserted into the holes, as shown in the picture 6.
7. Screws up the product on the ground with a screw driver, as shown in the picture 7.
8. When all the screws have been tighten, the product has been installed and fixed on the ground around the Roman column, as shown in the picture 8.
9. Push male cable connector to lock with female connector and the female end cap connector connect with male connector respectively, as shown in the picture 9. Finally connect with the 24V power supply to light up flexible LED grazer, and the installation has been already done.

Adjustable Bracket Installation Guide



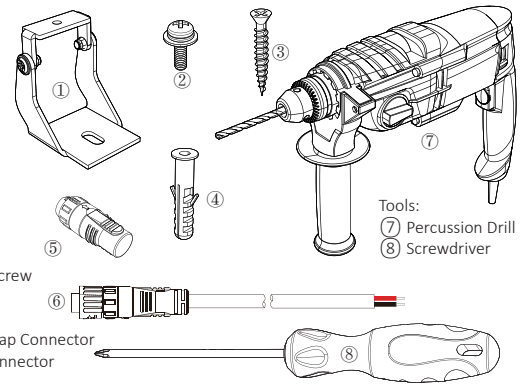
Picture 1

Picture 2

Picture 3

Accessories:

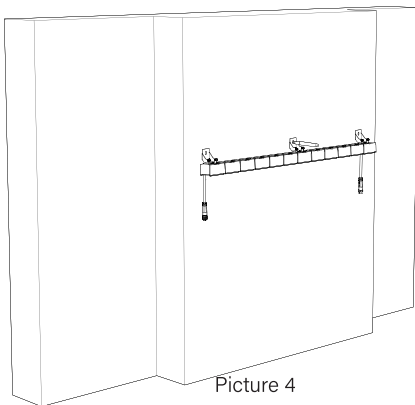
- ① Fixed Bracket
- ② Round Head Screw
- ③ Screws
- ④ Plastic Anchor
- ⑤ Female End Cap Connector
- ⑥ Male cable Connector



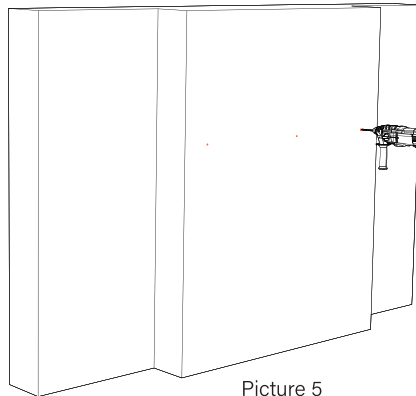
Tools:
⑦ Percussion Drill
⑧ Screwdriver

Angle Adjustable Bracket installation instructions:

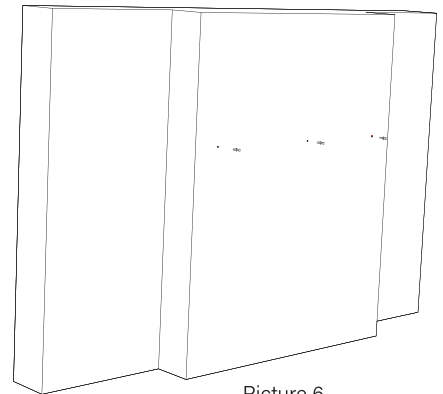
1. Use a screwdriver to screw the fixed bracket up on the bottom of flexible LED grazer, as shown in picture 1.
2. Screws tighten in a clockwise direction, screw off round head screw to loosen in a counterclockwise direction. One at the beginning and the other at the end of the 333 mm product length is sufficient, as shown in picture 2.
3. Angle adjustable brackets have been already screwed up tight on the bottom of flexible led grazer, as shown in picture 3.
4. Continued below



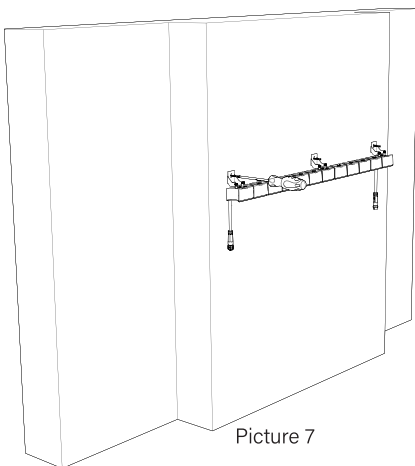
Picture 4



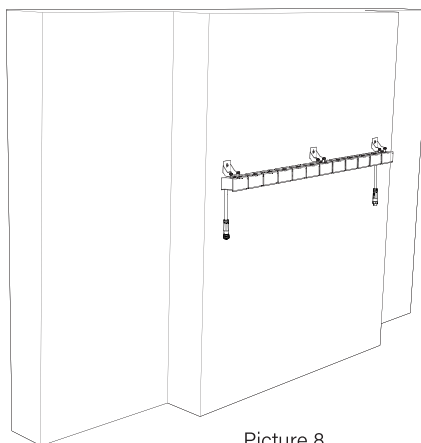
Picture 5



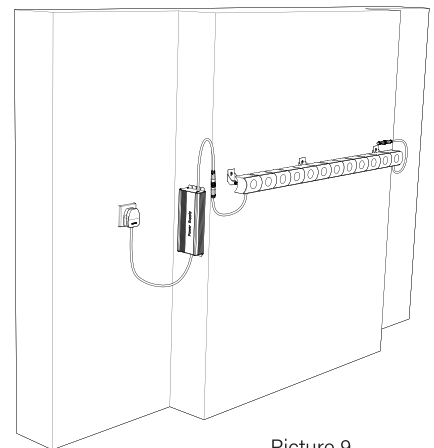
Picture 6



Picture 7



Picture 8



Picture 9

Flexible LED wall grazer installation instructions:

4. After angle adjustable bracket has been installed, installed in the environment of indoor wall, we need to mark the screw positions on the wall with a markpen, as shown in picture 4.
5. When all the position of screws have been marked on the wall, then use the percussion drill to drill the holes on the wall, as shown in the picture 5.
6. When all the holes have been drilled, plastic anchor needs to be inserted into the holes, as shown in the picture 6.
7. Screws up the product on the wall with a screwdriver, as shown in the picture 7.
8. When all the screws have been tighten, the product has been installed and fixed on the wall, as shown in the picture 8.
9. Push male cable connector to lock with female connector and the female end cap connector connect with male connector respectively, as shown in the picture 9. Finally connect with the 24V power supply to light up flexible LED grazer, and the installation has been already done.

LED wall grazer is manufactured to order, meaning that the appropriate power feeds are molded. There are two options available for all versions, these are bare end cables or plugs.

Bare end cables come with a standard length which can vary pending the manufacturing process, therefore it is recommended to ensure the feeder cable is long enough to reach the cable entry point of flex, where connections can be made.

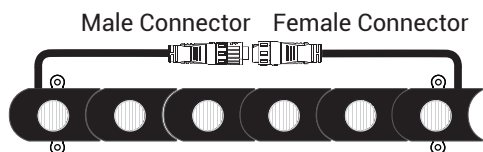
Plugs are designed for "plug-and-play" type installations, whereas the installer would ensure female sockets are available at each part start location, with the male type connector then plugging into this female type socket. Female sockets are available as separate items. Note that custom feed cable lengths are available upon special request.

LED wall grazer is a high-powered product, which requires a detailed electrical design to ensure equal balancing of loads across drivers and power supplies. Reference can be made to the various data sheets for specific variants, that indicate the operating voltage and the wattage per meter. Technical support is on hand to assist with control and power design. Product operates at 24Vdc unless otherwise stated in specific data sheets or product labels. Care should be taken to ensure the operating voltage is constant(constant voltage). A maximum volt drop of 5% is allowed (for example at 24Vdc, the maximum voltage drop would be 1.2V meaning a delivered voltage of 22.8V to the fixture.)

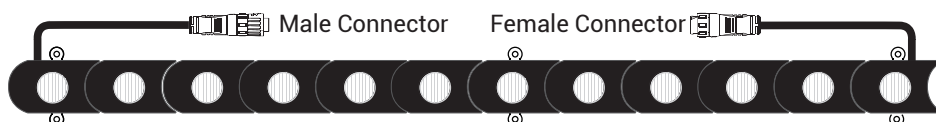
Providing with an extensive range of power supplies, LED Drivers, SPI pixel gateways and various DC-DC transformers which allow installers to overcome volt drop issues, as well as various control options such as stand-alone DMX interfaces to multi-universe video matrix type products. We also have an in-house design and engineering team that can deliver such systems, please contact support for more information.

Below is a guide which indicates the number of cores and the connections they relate to. Each manufactured length of LED wall grazer will have a factory fitted label which indicates the correct cores to use, as well as the colours of each specific core and its associated connection. The below guide is in black and white for clarity, and reference should always be made to the label on the product itself as sometimes, the cable colours may vary pending manufacturing processes or for custom orders. If in doubt, or if the label is missing, contact support for assistance before connecting to power.

Min. L=333mm(6×LED) 6 Cells



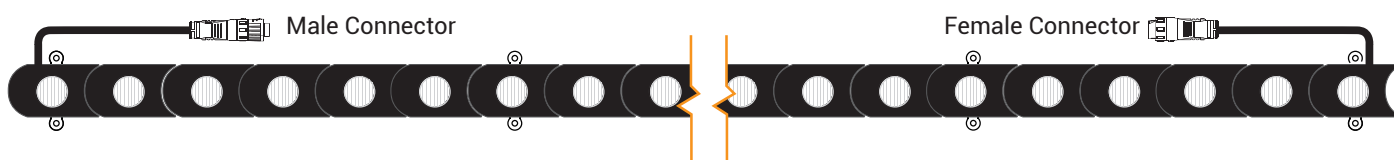
Length =666mm(12×LED) 12 Cells



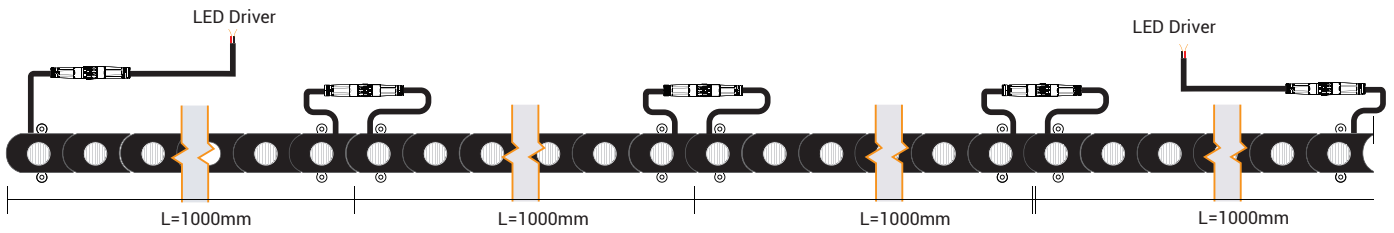
L=1000mm(18×LED) 18 Cells



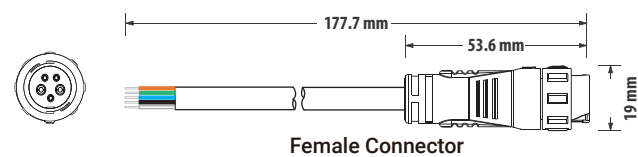
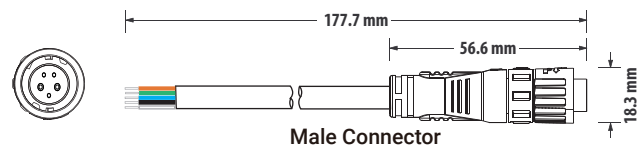
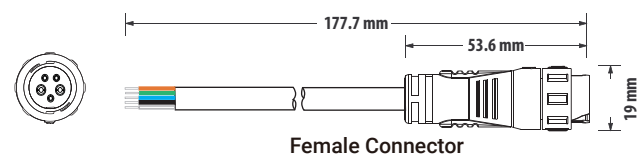
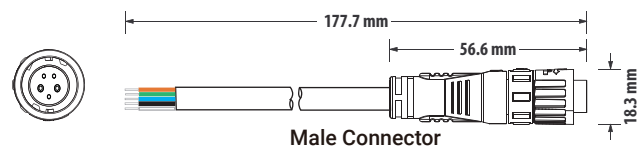
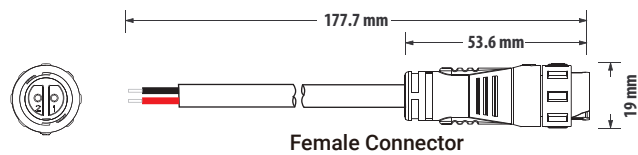
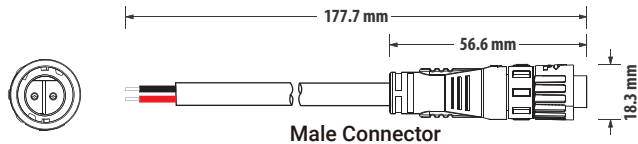
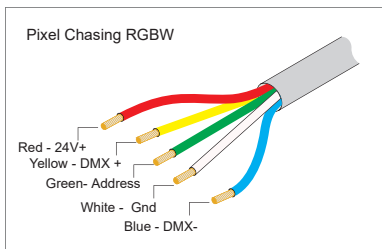
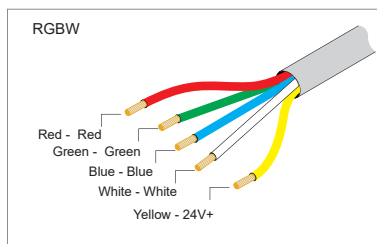
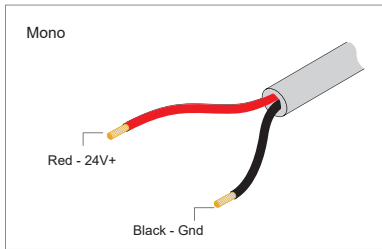
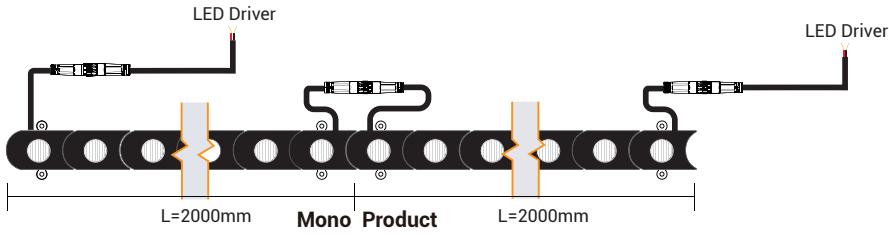
L=1333.3mm(24×LED) 24 Cells



Maximum Linking (4xL=1000mm)



Maximum Linking (2xL=2000mm)

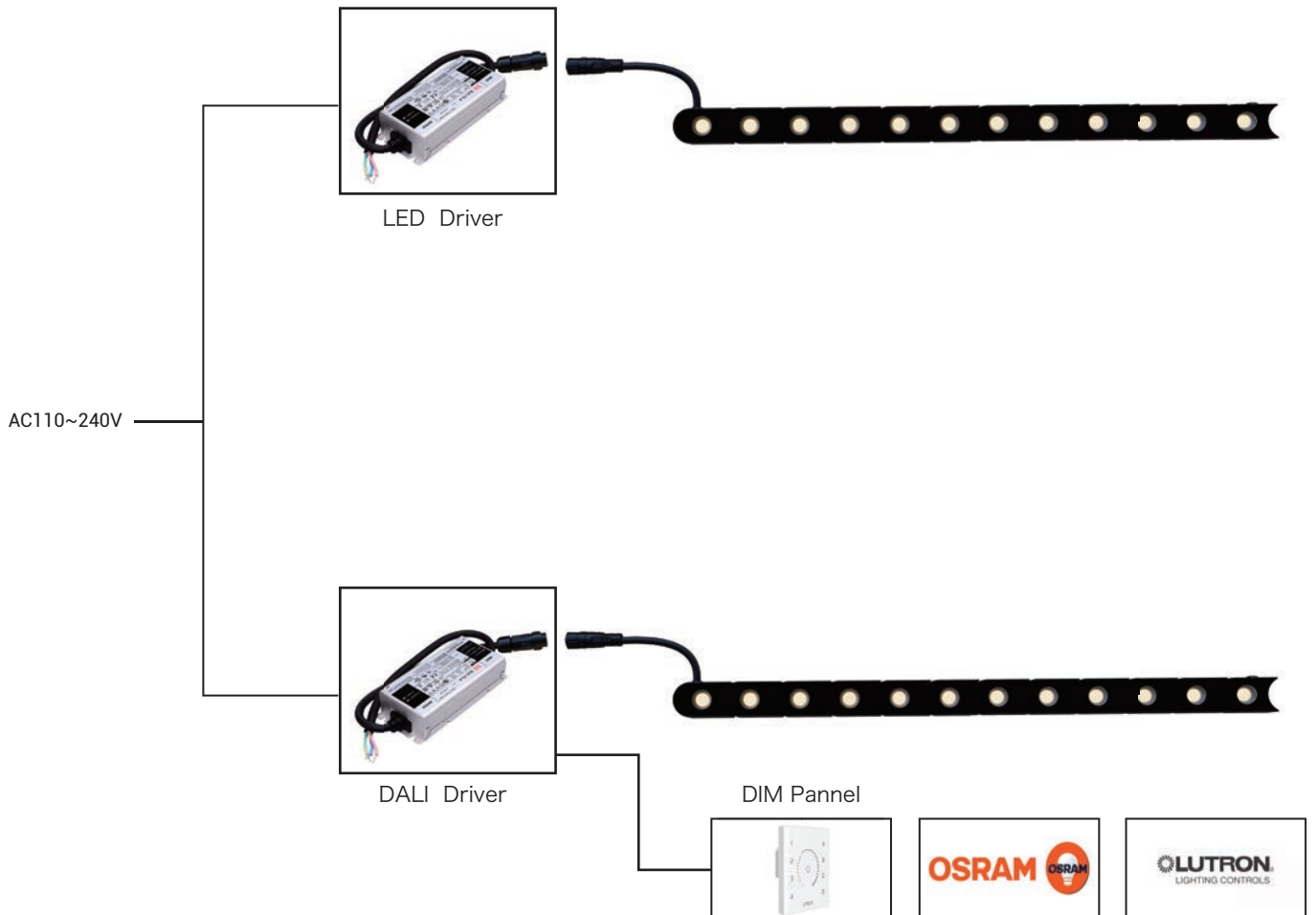


Mono Color

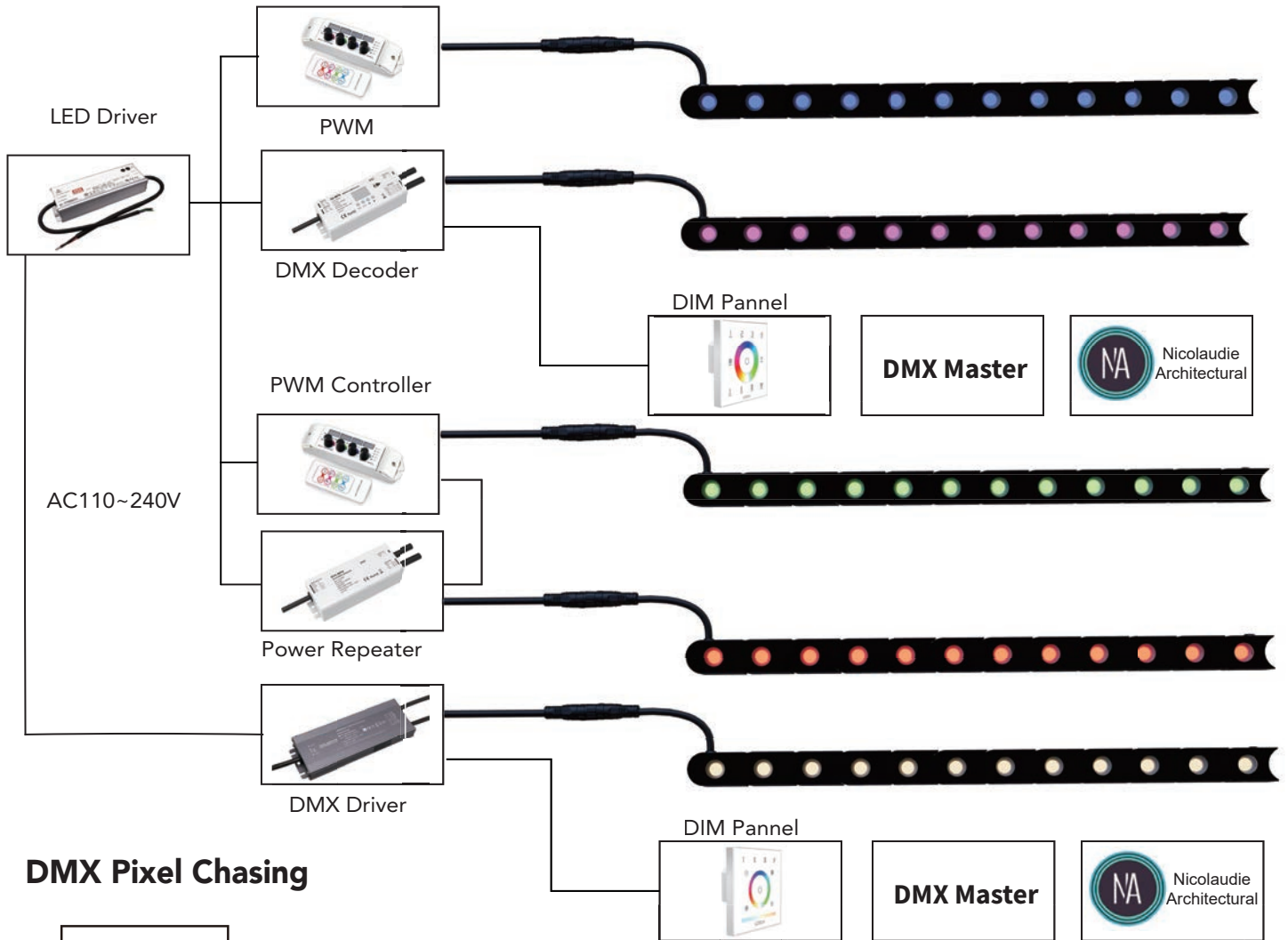
(Constant Voltage)



(Constant Current)



Multi RGBW



DMX Pixel Chasing

