

AKWA+FLEX-90

Tunable White SPECIFICATION SHEET

Project Name:

Specifier:

Location:

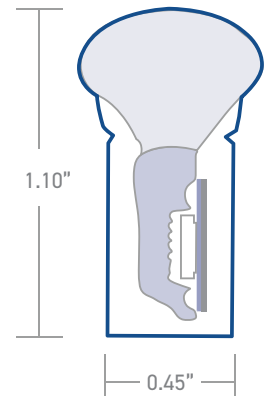
Product Code:

- Material:**
Silicone
- Weatherproof Rating:**
IP68
Wet Location
- Bending Direction:**
Horizontal
- Beam Angle:**
270°
- Bend Diameter:**
>3.15"
- Impact Rating:**
IK08
- Operating Temp:**
-40°F - 131°F
- UL Listed**
- Dimmable:**
0-10V, DMX
- CRI:**
>80+



	AKWA Silicone Resin Encapsulation Horizontal Bend
Input Voltage	24V
Power Consumption	3.7W/ft
Standard CRI	>80
LEDs per foot/m	37 120
Incremental length in/mm	3.93" 100mm

Color Temperature [K]	Lumen Output [lm/ft]
2200K + 5700K	
2200K	61lm
5700K	71lm



Luminaire Options	Mono, RGB/W & Dim to warm available - refer to specific datasheets
Control	0-10V · DMX
Optics	opal symmetrical 270° diffuser
Finish	white
Mounting	surface · wall
Accessories	mounting channel / profile

Due to tolerances of the production process and the electrical components, values for light output, color temperature and electrical power can vary up to 10%.

How to specify KLIK USA AKWA Flex 90. **Example of specification:** AF90TUNXX.XBBADIM

Fixture Type	Color Temp [K]	Nominal Length [feet] with one feed ^{1,2}	Power Entry Location ³	Nominal Power Entry Termination	Mounting Profiles & Brackets	Accessories	Control
AF90	TUN 2200-5700K	XX.X Specify run Length [ft]	B Back one end B2 Back each end E End Plate one end E2 End Plate each end SL Side - Left SR Side- Right SLR Side - Left+Right	B Bare cable with anti-wick ferrule [Std] M Male IP68 Connector F Female IP68 Connector	A AF90S01 B AF90S04 C AF90H05 D AF90V01 E AFPC90S01-T F AFSSC90FLX G AFSSC90S01-05 H AFSSC90S02-100 I AF90S01FLX J AF90S04FLX	- Profile [Std] A AF90ADJ	DIM 0-10V Dim [Std] DMX1 DMX 1 Ch

1. Specify length of run

2. Max run length per power entry feed is 22' [6.7m] and 44' [13.4m] for 2 x feeds [one at each end]

3. B2, E2 & SLR only required if exceeding the maximum single power entry as indicated above, thus requiring TWO power entries.

AKWA+FLEX-90

POWER ENTRY LOCATIONS



B

Power entry from the BACK of the fixture [one end]



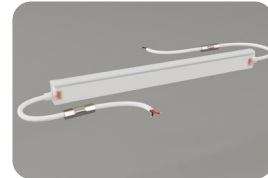
B2

Power entry from the BACK of the fixture [both ends] [for fixture length >22']



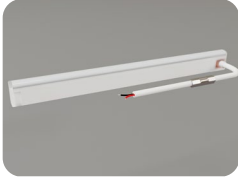
E

Power entry from the END of the fixture [one end]



E2

Power entry from the END of the fixture [both ends] [for fixture length >22']



SL

Power entry from the SIDE of the fixture [LHS]



SR

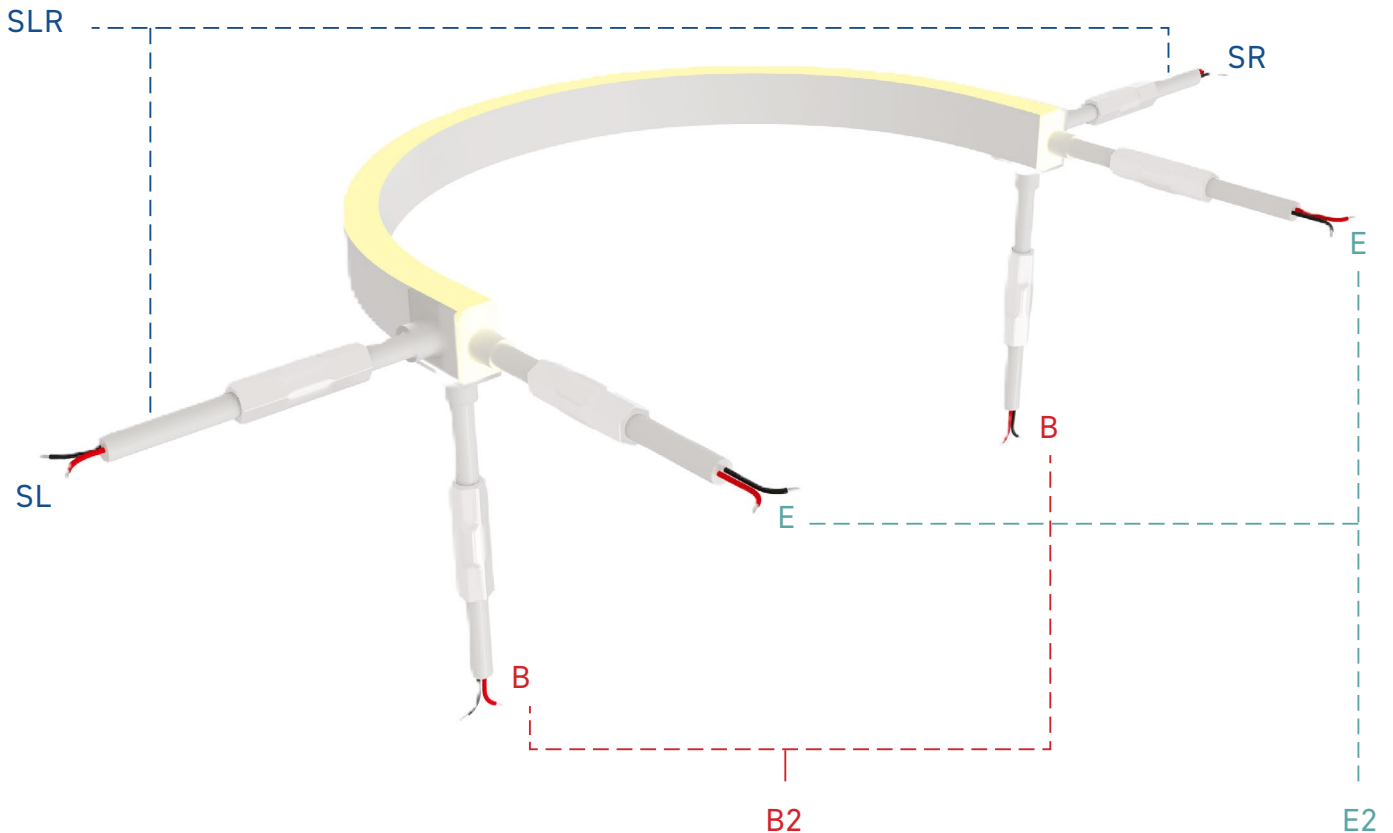
Power entry from the SIDE of the fixture [RHS]



SLR

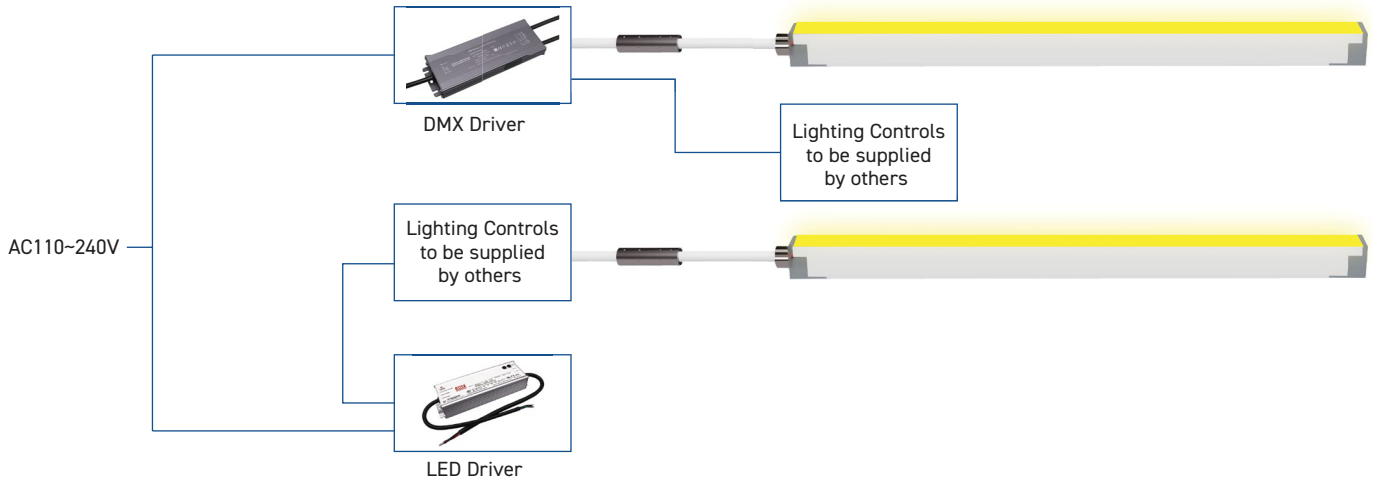
Power entry from the SIDE of the fixture [both L&R] [for fixture length >22']

POWER ENTRY ORIENTATION

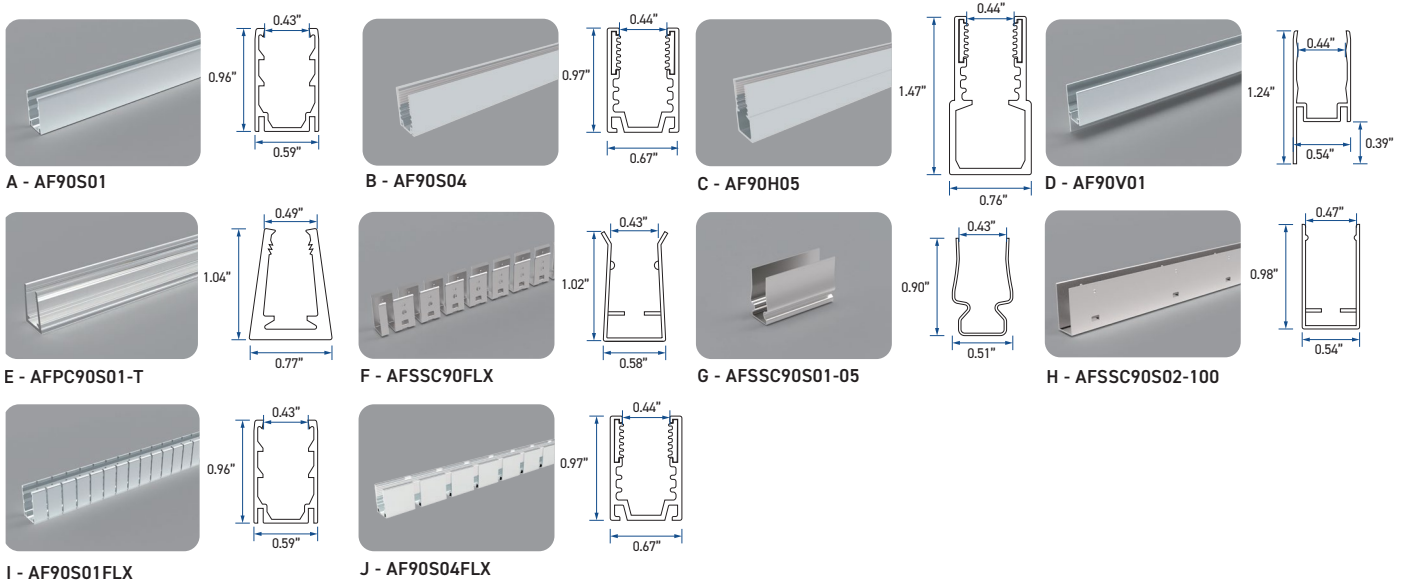


AKWA+FLEX-90 WIRING DIAGRAMS

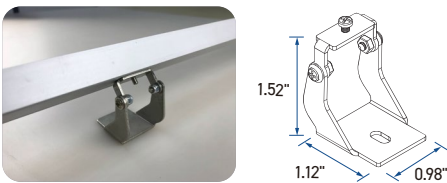
TUNABLE WHITE



MOUNTING OPTIONS



ACCESSORIES



Adjustable Bracket - A - AF90ADJ