

AKWA+FLEX-90

RGB/W SPECIFICATION SHEET

Project Name:

Specifier:

Location:

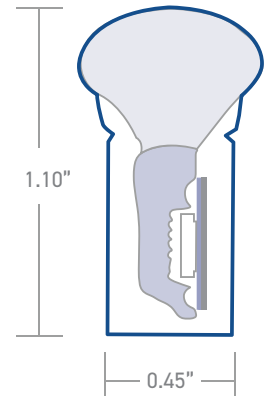
Product Code:

- Material:**
Silicone
- Impact Rating:**
IK08
- Weatherproof Rating:**
IP68
Wet Location
- Operating Temp:**
-40°F - 131°F
- Bending Direction:**
Horizontal
- UL Listed**
- Beam Angle:**
270°
- Dimmable:**
DMX
- Bend Diameter:**
>3.15"
- CRI:**
>80+



	AKWA Silicone Resin Encapsulation Horizontal Bend
Input Voltage	24V
Power Consumption	5.2W/ft
Standard CRI	>80
LEDs per foot/m	22 72
Incremental length in/mm	3.28" 83.3mm

Color Temperature [K]	Lumen Output [lm/ft]
Red	9lm
Green	33lm
Blue	5.4lm
RGBW	82lm
3000K	39lm



Luminaire Options	Mono, RGBW-Dynamic, tunable white & dim to warm available - refer to specific datasheets
Control	DMX
Optics	opal symmetrical 270° diffuser
Finish	white
Mounting	surface · wall
Accessories	mounting channel / profile

Due to tolerances of the production process and the electrical components, values for light output, color temperature and electrical power can vary up to 10%.

How to specify KLIK USA AKWA Flex 90. Example of specification: AF90RGB3XX.XBBADMX4

Fixture Type	Color Temp [K]	Nominal Length [feet] with one feed ^{1,2}	Power Entry Location ³	Nominal Power Entry Termination	Mounting Profiles & Brackets	Accessories	Control
AF90	RGB3 RGBW[3K] RGB4 RGBW[4K]	XX.X Specify run Length [ft]	B Back one end B2 Back each end E End Plate one end E2 End Plate each end SL Side - Left SR Side - Right SLR Side - Left+Right	B Bare cable with anti-wick ferrule [Std] M Male IP68 Connector F Female IP68 Connector	A AF90S01 B AF90S04 C AF90H05 D AF90V01 E AFPC90S01-T F AFSSC90FLX G AFSSC90S01-05 H AFSSC90S02-100 I AF90S01FLX J AF90S04FLX	- Profile [Std] A AF90ADJ	DMX4 DMX RGBW

1. Specify length of run
2. Max run length per power entry feed is 16' [4.9m] and 31' [9.8m] for 2 x feeds [one at each end]
3. B2, E2 & SLR only required if exceeding the maximum single power entry as indicated above, thus requiring TWO power entries.

AKWA+FLEX-90

POWER ENTRY LOCATIONS



B

Power entry from the BACK of the fixture [one end]



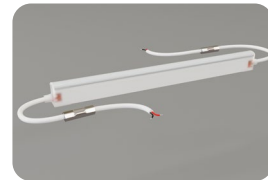
B2

Power entry from the BACK of the fixture [both ends] [for fixture length >16']



E

Power entry from the END of the fixture [one end]



E2

Power entry from the END of the fixture [both ends] [for fixture length >16']



SL

Power entry from the SIDE of the fixture [LHS]



SR

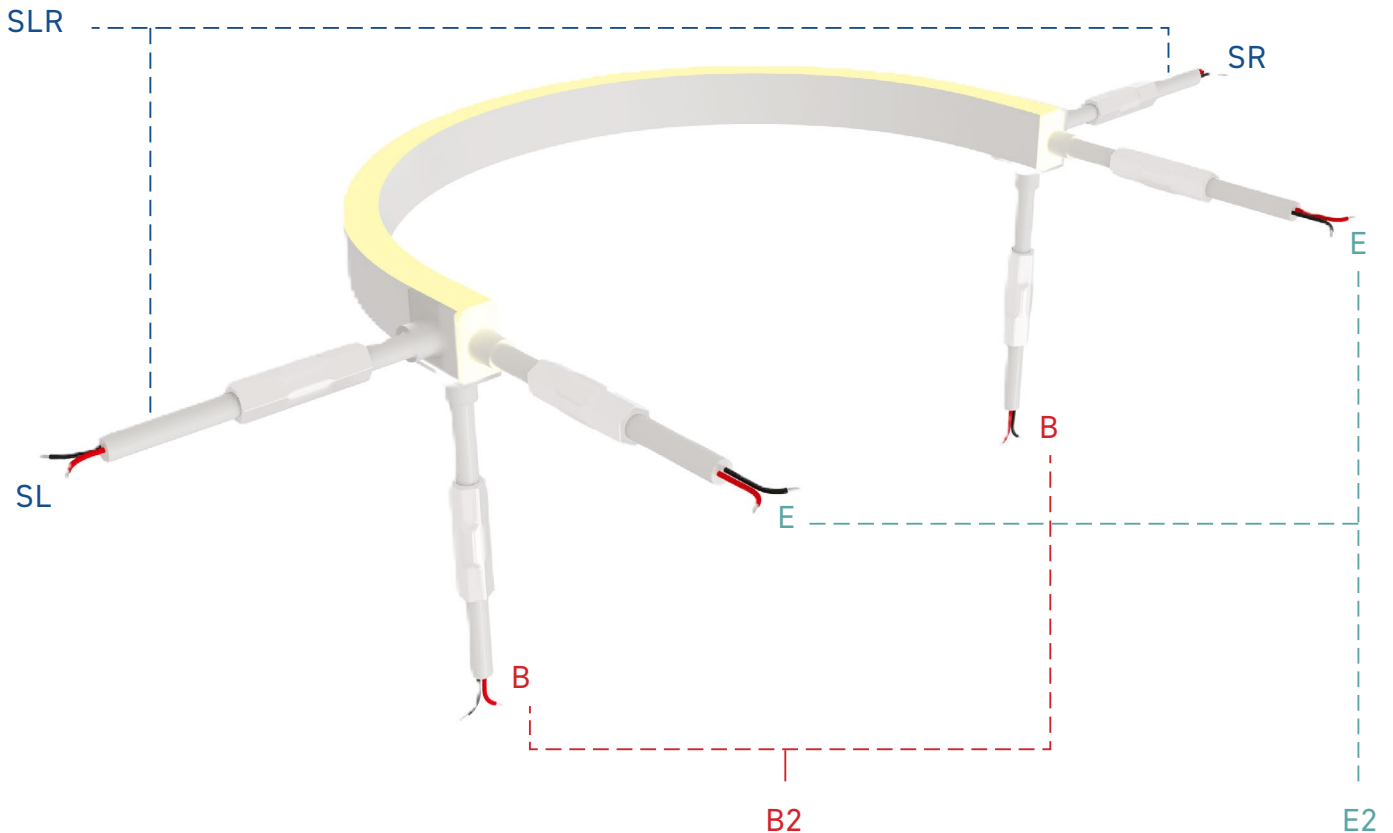
Power entry from the SIDE of the fixture [RHS]



SLR

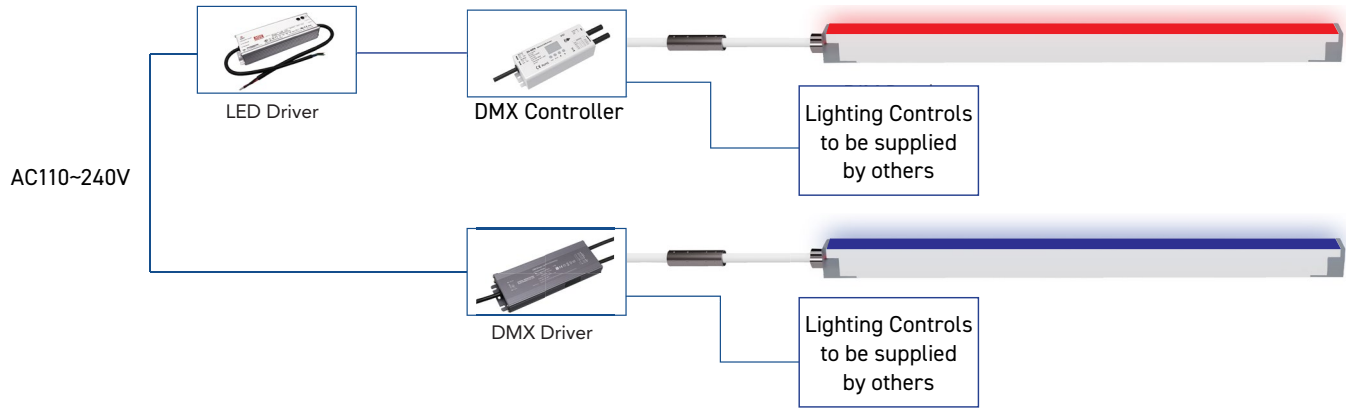
Power entry from the SIDE of the fixture [both L&R] [for fixture length >16']

POWER ENTRY ORIENTATION

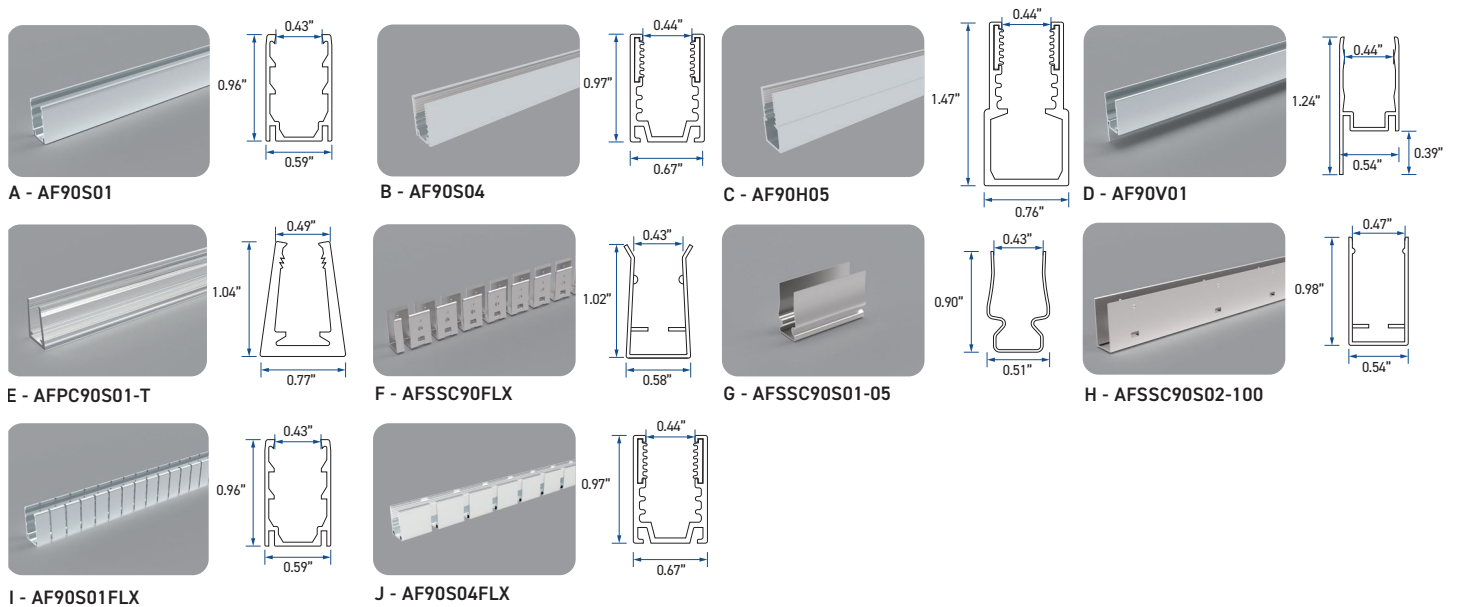


AKWA+**FLEX-90** WIRING DIAGRAMS

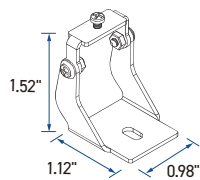
RGBW



MOUNTING OPTIONS



ACCESSORIES



Adjustable Bracket - A - AF90ADJ