

AKWA+FLEX-70











RGBW Dynamic SPECIFICATION SHEET

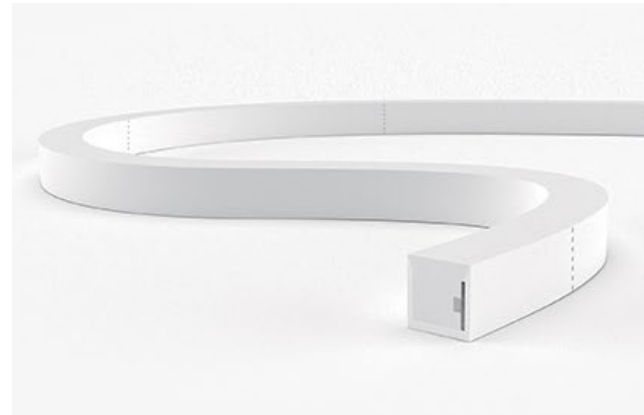
Project Name:

Specifier:

Location:

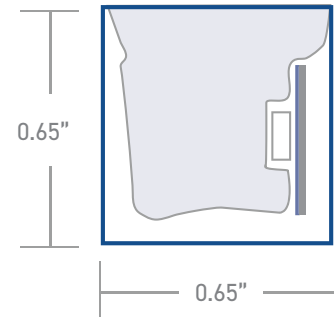
Product Code:

- 
Material:
Silicone
- 
Impact Rating:
IK08
- 
Weatherproof Rating:
IP68
Wet Location
- 
Operating Temp:
-40°F - 131°F
- 
Bending Direction:
Horizontal
- 
UL Listed
- 
Beam Angle:
120°
- 
Dimmable:
DMX
- 
Bend Diameter:
>5.90"
- 
CRI:
>80+



	AKWA Silicone Resin Encapsulation Horizontal Bend
Input Voltage	24V
Power Consumption	5.5W/ft
Standard CRI	>80
LEDs per foot/m	21 70
Incremental length in/mm	3.93" 100mm
Pixels per foot/m	3 10

Color Temperature [K]	Lumen Output [lm/ft]
Red	8lm
Green	26lm
Blue	5lm
3000K	29lm



Luminaire Options	Mono, Tunable white & RGB/W available - refer to specific datasheets
Control	DMX
Optics	opal symmetrical 120° diffuser
Finish	white
Mounting	surface · wall
Accessories	mounting channel / profile

Due to tolerances of the production process and the electrical components, values for light output, color temperature and electrical power can vary up to 10%.

How to specify KLIK USA AKWA Flex 70. **Example of specification:** AF70RGB3XX.XBADYNM

Fixture Type	Color Temp [K]	Nominal Length [feet] with one feed ^{1,2}	Power Entry Location ³	Mounting Profiles & Brackets	Accessories	Control
AF70	RGB3 RGBW[3K] RGB4 RGBW[4K]	XX.X Specify run Length [ft]	B Back one end B2 Back each end E End Plate one end E2 End Plate each end SL Side - Left SLR Side - Left+Right	A AF70S02 B AF70S07 C AF70S08 D AF70H02 E AFPC70S02-T F AFSSC70S01-05 G AFSSC70FLX H AFSSC70S02-100 I AF70S02FLX J AF70S8FLX	- Profile [Std] A AF70ADJ	DYNM DMX Dynamic

1. Specify length of run
2. Max run length per power entry feed is 15' [4.6m] and 30' [9.2m] for 2 x feeds [one at each end]
3. B2, E2 & SLR only required if exceeding the maximum single power entry as indicated above, thus requiring TWO power entries.

AKWA+FLEX-70

POWER ENTRY LOCATIONS



B

Power entry from the BACK of the fixture [one end]



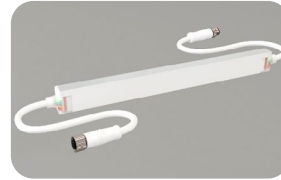
B2

Power entry from the BACK of the fixture [both ends] [for fixture length >15']



E

Power entry from the END of the fixture [one end]



E2

Power entry from the END of the fixture [both ends] [for fixture length >15']



SL

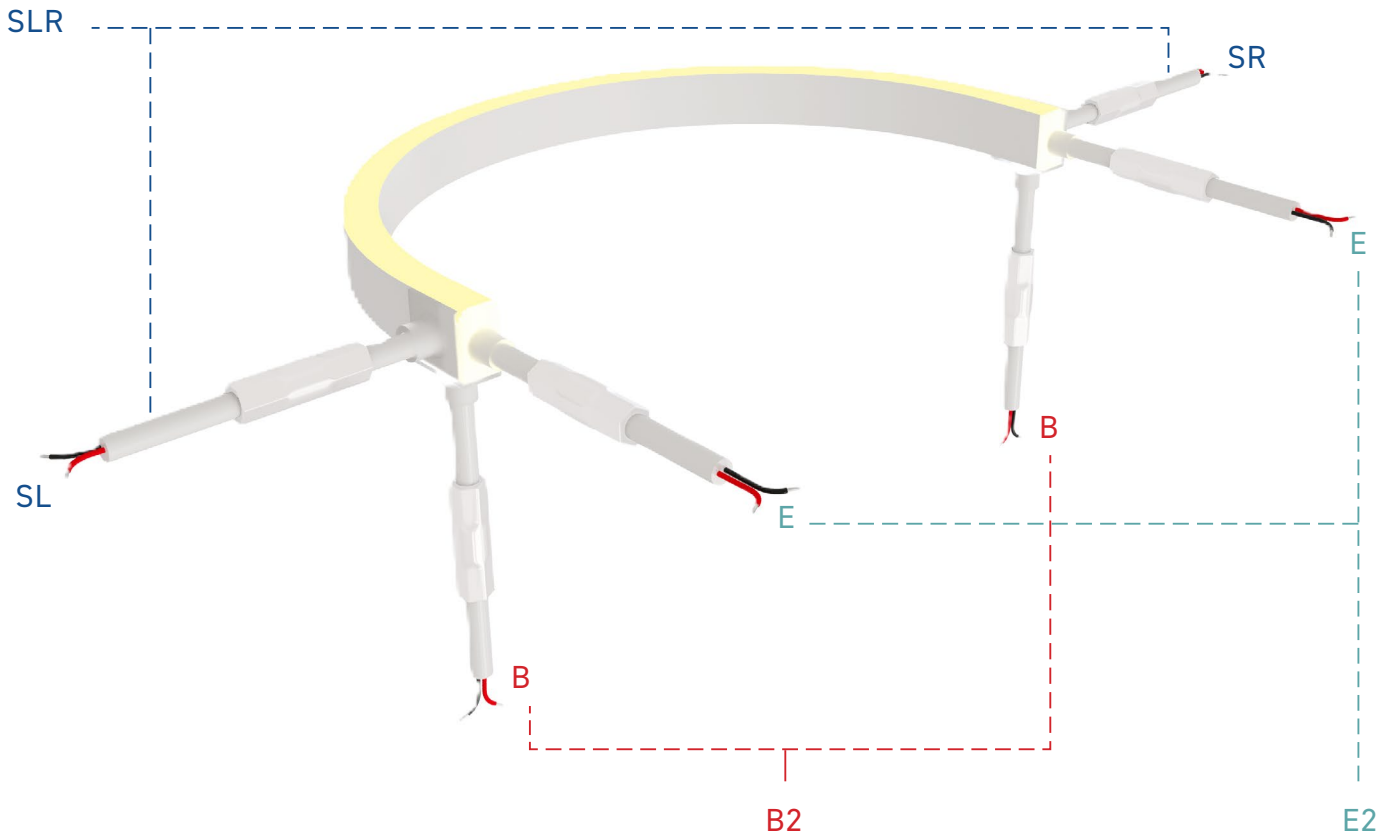
Power entry from the SIDE of the fixture [LHS]



SLR

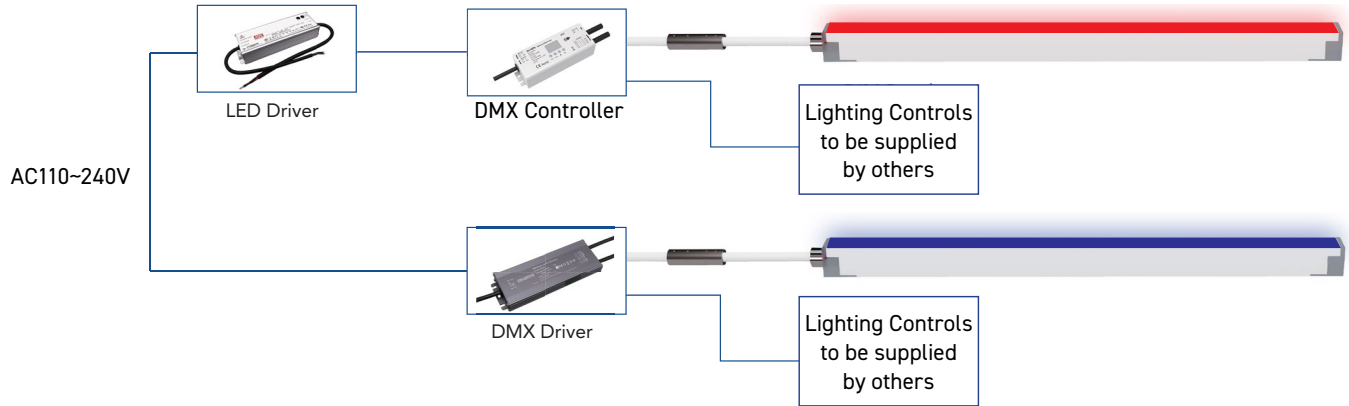
Power entry from the SIDE of the fixture [both L&R] [for fixture length >15']

POWER ENTRY ORIENTATION

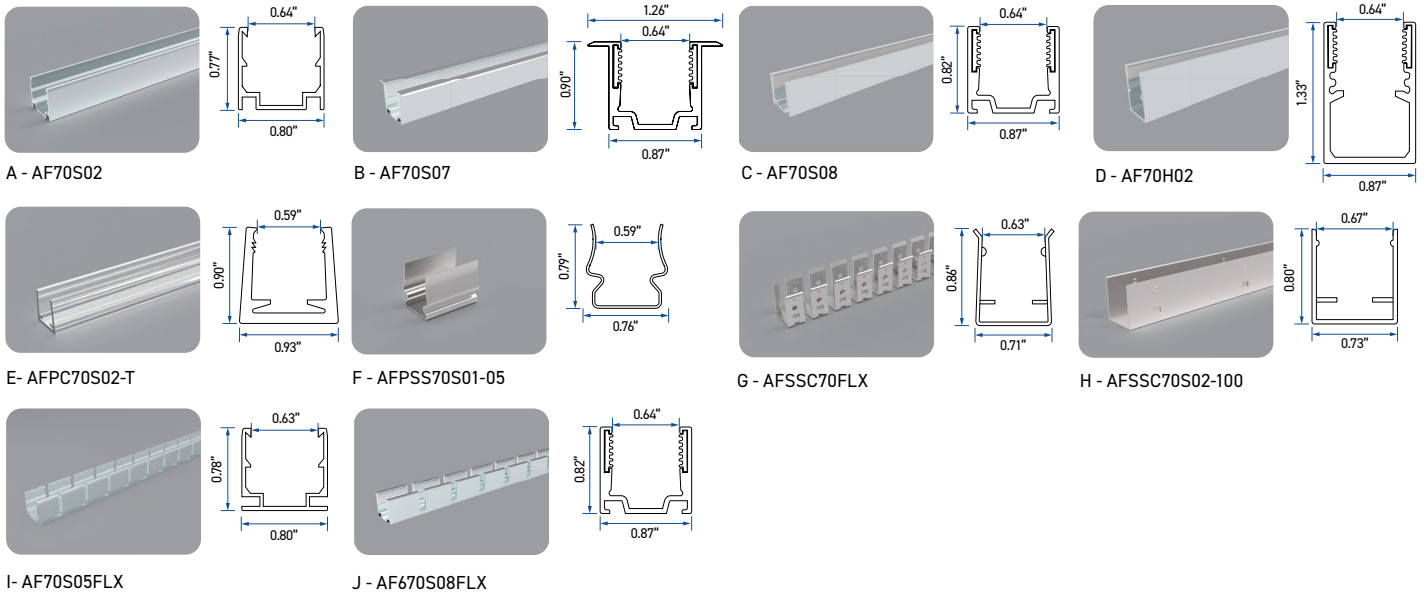


AKWA+FLEX-70 WIRING DIAGRAMS

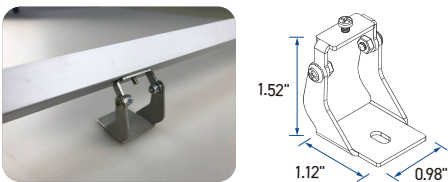
RGBW DYNAMIC



MOUNTING OPTIONS



ACCESSORIES



Adjustable Bracket - A - AF70ADJ